

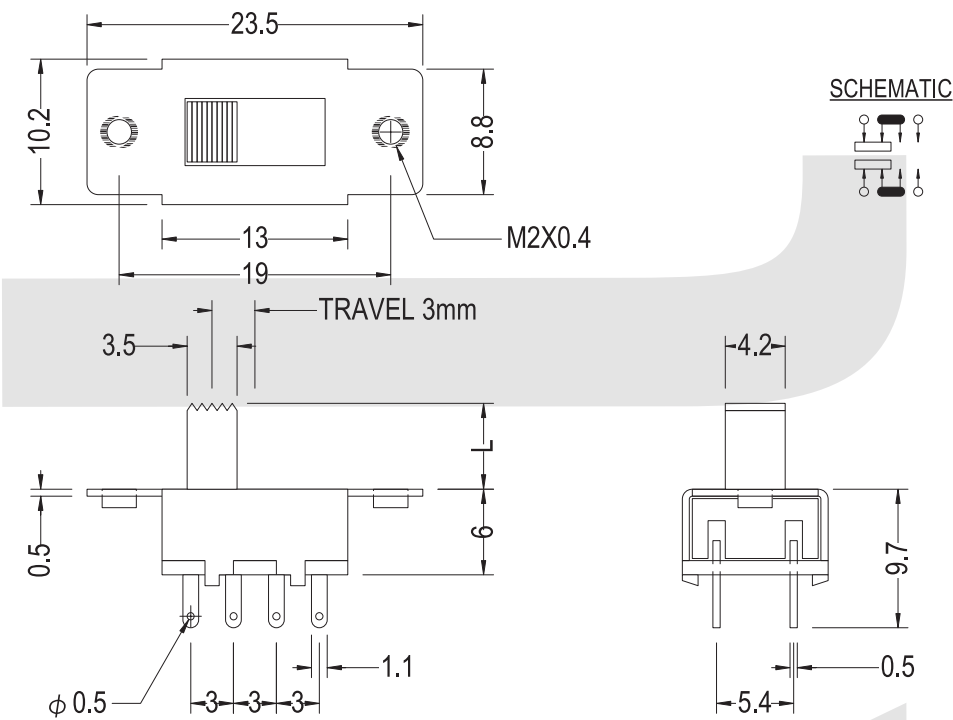
Switch

Slide Switch Series

KLS7-SS45-23F35 (2P3T) Slide Switch Series

SPECIFICATIONS

- Rating: 0.5A 50VDC
- Contact Resistance: 30mΩ Max
- Insulation Resistance: 500VDC 100MΩ Min
- Dielectric Strength: 500V AC 1 Minute
- Operating Force: 100gf~800gf
- Electrical Life : 10,000 cycles



ORDER INFORMATION

KLS7-SS45 - 2 3 F 35 - X X - X

Part Number: KLS7-SS45
 Slide Switch Type: 2
 Pole: 3
 Throw: F
 Sequential No.: 35
 Operating Force: X
 Knobe Height: X

Travelling					
C	D	E	F	G	H
1.5	2.0	2.5	3.0	3.5	4.0
I	J	K	L	N	P
4.5	5.0	5.5	6.0	7.0	8.0

Knob Type: RG, G, TG, VG, EG, CG

All specification & dimensions are subject to change, please call your nearest KLS sales representative for update information