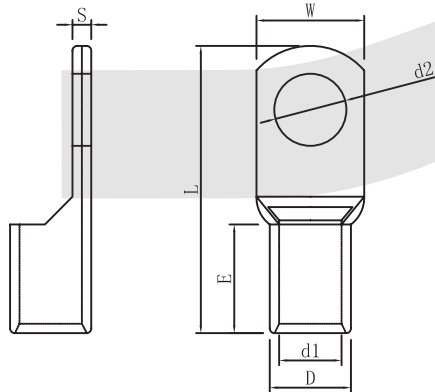


## Terminals Series

### KLS8-01107 Copper connection terminal of peep mouth Series

Terminal Material: COPPER



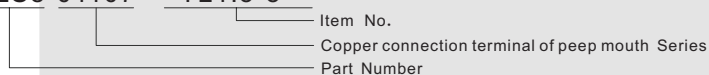
MAXIMUM ELECTRIC CURRENT:

A.W.G.	16	14	12	10	8	6	4	2	1/0	2/0	3/0	4/0	250	300	350	400	500	600	750	800	1000	1250
AMP.	18	30	35	50	70	95	125	170	230	265	310	360	405	445	505	545	620	690	785	815	935	1065

WIRE RANGE A.W.G. mm <sup>2</sup>	ITEM NO.	STUD SIZE		DIMENSION (mm)						Q'TY BOX
		d2		W	d1	D	L	E	S	
16A.W.G. 1.5mm <sup>2</sup>	TL1.5-5	#10	5.3	8.0	1.8	3.3	16.0	-	-	1000
14A.W.G. 2.5mm <sup>2</sup>	TL2.5-4	#8	4.3	8.0	2.4	4.0	19.6	8.0	-	1000
	TL2.5-5	#10	5.3	8.0	2.4	4.0	19.6	8.0	-	1000
	TL2.5-6	1/4	6.5	10.0	2.4	4.0	21.0	8.0	-	1000
12A.W.G. 4mm <sup>2</sup>	TL4-4	#8	4.3	10.0	3.1	4.8	21.0	-	-	1000
	TL4-5	#10	5.3	10.0	3.1	4.8	21.0	-	-	1000
	TL4-6	1/4	6.5	10.0	3.1	4.8	21.0	-	-	1000
12-10A.W.G. 4-6mm <sup>2</sup>	TL6-4	#8	4.3	10.0	3.8	5.5	25.5	-	-	500
	TL6-5	#10	5.3	10.0	3.8	5.5	25.5	-	-	500
	TL6-6	1/4	6.5	10.0	3.8	5.5	25.5	-	-	500
8A.W.G. 10mm <sup>2</sup>	TL10-6	1/4	6.5	12.6	4.5	6.2	27.0	10.0	1.1	500
	TL10-8	5/16	8.4	12.6	4.5	6.2	27.0	10.0	1.1	500
6A.W.G. 16mm <sup>2</sup>	TL16-6	1/4	6.5	12.6	5.5	7.2	29.5	10.5	1.3	250
	TL16-8	5/16	8.4	12.6	5.5	7.2	29.5	10.5	1.3	250
4A.W.G. 25mm <sup>2</sup>	TL25-6	1/4	6.5	15.0	7.0	9.0	33.0	12.0	1.7	200
	TL25-8	5/16	8.4	15.0	7.0	9.0	33.0	12.0	1.7	200
	TL25-10	3/8	10.5	15.0	7.0	9.0	33.0	12.0	1.7	200
2A.W.G. 35mm <sup>2</sup>	TL35-6	1/4	6.5	15.2	8.2	10.6	38.0	14.2	2.5	200
	TL35-8	5/16	8.4	15.2	8.2	10.6	38.0	14.2	2.5	200
	TL35-10	3/8	10.5	15.2	8.2	10.6	38.0	14.2	2.5	100
1/0A.W.G. 50mm <sup>2</sup>	TL50-8	5/16	8.4	18.5	10.0	13.0	44.5	18.0	2.9	100
	TL50-10	3/8	10.5	18.5	10.0	13.0	44.5	18.0	2.9	100
	TL50-12	1/2	13.0	18.5	10.0	13.0	44.5	18.0	2.9	100

## ORDER INFORMATION

KLS8-01107 - TL1.5-5



## Terminals Series

### KLS8-01107 Copper connection terminal of peep mouth Series

WIRE RANGE A.W.G. mm <sup>2</sup>	ITEM NO.	STUD SIZE		DIMENSION (mm)						Q'TY BOX
		d2		W	d1	D	L	E	S	
2/0MCM 70mm <sup>2</sup>	TL70-8	5/16	8.4	21.4	11.5	15	54.2	20.4	3.5	100
	TL70-10	3/8	10.5	21.4	11.5	15	54.2	20.4	3.5	100
	TL70-12	1/2	13	21.4	11.5	15	54.2	20.4	3.5	100
3/0MCM 95mm <sup>2</sup>	TL95-10	3/8	10.5	25.5	13.5	17.4	59	23.4	3.9	50
	TL95-12	1/2	13	25.5	13.5	17.4	59	23.4	3.9	50
4/0MCM 120mm <sup>2</sup>	TL120-10	3/8	10.5	28.3	15.5	19.9	66.7	24.6	4.5	25
	TL120-12	1/2	13	28.3	15.5	19.9	66.7	24.6	4.5	25
	TL120-14	9/16	15	28.3	15.5	19.9	66.7	24.6	4.5	25
	TL120-16	5/8	17	28.3	15.5	19.9	66.7	24.6	4.5	25
250/300MCM 150mm <sup>2</sup>	TL150-12	1/2	13	31	17	21.7	74.5	29.5	4.7	25
	TL150-14	9/16	15	31	17	21.7	74.5	29.5	4.7	25
	TL150-16	5/8	17	31	17	21.7	74.5	29.5	4.7	25
300/350MCM 185mm <sup>2</sup>	TL185-12	1/2	13	34.2	19	24	81.4	32.5	5	10
	TL185-14	9/16	15	34.2	19	24	81.4	32.5	5	10
	TL185-16	5/8	17	34.2	19	24	81.4	32.5	5	10
400MCM 240mm <sup>2</sup>	TL240-14	9/16	15	39	21.5	27	94	35.5	5.5	10
	TL240-16	5/8	17	39	21.5	27	94	35.5	5.5	10
	TL240-18	1 1/16	19	39	21.5	27	94	35.5	5.5	10
500MCM 300mm <sup>2</sup>	TL300-14	9/16	15	44	24.5	31	103.2	42	6.5	5
	TL300-16	5/8	17	44	24.5	31	103.2	42	6.5	5
	TL300-18	1 1/16	19	44	24.5	31	103.2	42	6.5	5
	TL300-20	3/4	21	44	24.5	31	103.2	42	6.5	5
	TL300-22	7/8	23	44	24.5	31	103.2	42	6.5	5
	TL300-24	15/16	25	44	24.5	31	103.2	42	6.5	5

VIII

## ORDER INFORMATION

KLS8-01107 - TL1.5-5

Item No.  
 Copper connection terminal of peep mouth Series  
 Part Number