

PTC Resettable Fuses Series

KLS5-JK90 PTC Resettable Fuses Series

KLS5-JK series of Polymer PTC self-resettable fuse (Polymer PTC Restoring Fuse) is a new-generation of overcurrent protection product, its function corresponds to the self-resettable and repeatedly-usable fuse, being used to protect circuit from damage by high current and having such superiorities as automatic reset, high security, short restoring time, fine performance of resistance to strong current as well as little volume. The products are classified into 10 major categories and nearly 100 specifications based on their rated operation voltage (Operating Voltage : 6v-600v), holding current (Holding Current: 90mA-14A) and shape, they can be used in communication exchanger, main distributing frame, computer mouse, keyboard, micromotor, transformer, audio, battery and other electrical equipment as well as circuits, to play the role overcurrent protection.

Lead Material: Tinned Copper, $\Phi 0.60$ mm.
Encapsulation materials: flame-retardant epoxy powder, UL94V-0
Operating Temperature: $-40^{\circ}\text{C} \sim +85^{\circ}\text{C}$

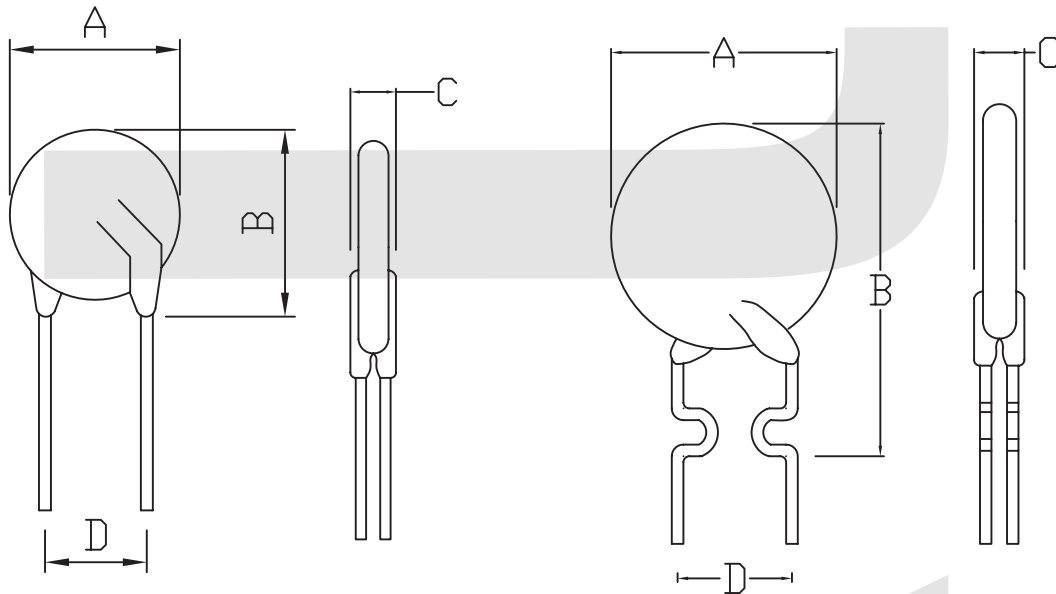


Figure 1

Figure 2

ORDER INFORMATION

ProductNO.: KLS5-JK 90-150

Pos. No. _____ Hold Current
PTC Resettable Fuses Series _____ Withstand voltage



PTC Resettable Fuses Series

KLS5-JK90 PTC Resettable Fuses Series

Electrical characteristics (25°C)

Model	Ih	It	Vmax	Imax	Max.Time To Trip At 3*Ih	Pd	Initial resistance (Ω)		Fig
	(A)	(A)	(V)	(A)	(S)	(W)	Rmin	Rmax	
JK90-150	0.15	0.3	90	20	60	1.65	1.5	3	2
JK90-200	0.2	0.4	90	20	60	1.7	1	2.5	2
JK90-250	0.25	0.5	90	20	60	1.75	0.8	2	2
JK90-350	0.35	0.75	90	20	60	1.8	0.6	1.2	2
JK90-550I	0.55	1.1	90	20	60	2	0.3	0.9	1
JK90-550	0.55	1.1	90	20	60	2	0.35	0.9	2
JK90-750	0.75	1.5	90	20	60	2.5	0.2	0.6	2
JK90-900	0.9	1.8	90	20	60	3	0.1	0.5	2

Product dimensions(mm)

Model	A(max)	B(max)	C(max)	D(max)
JK90-150	4.8	12.7	3	5.1
JK90-200	5.4	13.3	3	5.1
JK90-250	6.2	14	3	5.1
JK90-350	7.8	15.6	3	5.1
JK90-550	9.7	17.5	3	5.1
JK90-550I	9.7	17.5	3	5.1
JK90-750	11.2	19	3	5.1
JK90-900	12.8	20.5	3	5.1

ORDER INFORMATION

ProductNO.: KLS5-JK 90-150

Pos. No. _____ Hold Current
PTC Resettable Fuses Series _____ Withstand voltage