

PTC Resettable Fuses Series

KLS5-JK120 PTC Resettable Fuses Series

KLS5-JK series of Polymer PTC self-resettable fuse (Polymer PTC Restoring Fuse) is a new-generation of overcurrent protection product, its function corresponds to the self-resettable and repeatedly-usable fuse, being used to protect circuit from damage by high current and having such superiorities as automatic reset, high security, short restoring time, fine performance of resistance to strong current as well as little volume. The products are classified into 10 major categories and nearly 100 specifications based on their rated operation voltage (Operating Voltage : 6v-600v), holding current (Holding Current: 90mA-14A) and shape, they can be used in communication exchanger, main distributing frame, computer mouse, keyboard, micromotor, transformer, audio, battery and other electrical equipment as well as circuits, to play the role overcurrent protection.

Lead Material: Tinned Copper, $\Phi 0.60$ mm.
Encapsulation materials: flame-retardant epoxy powder, UL94V-0
Operating Temperature: $-40^{\circ}\text{C} \sim +85^{\circ}\text{C}$

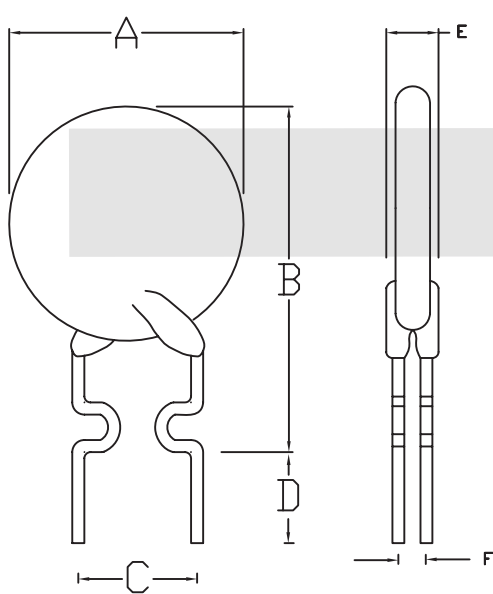


Figure 1

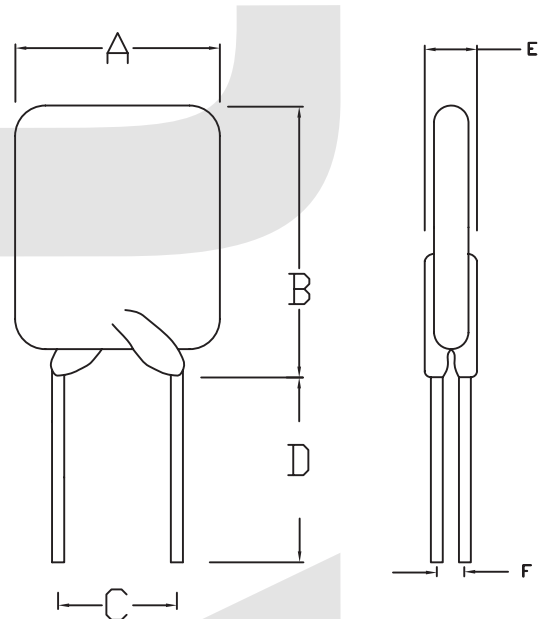


Figure 2

ORDER INFORMATION

ProductNO.: KLS5-JK 120-150

Pos. No. _____ Hold Current _____
PTC Resettable Fuses Series _____ Withstand voltage _____



PTC Resettable Fuses Series

KLS5-JK120 PTC Resettable Fuses Series

Product dimensions(mm)

Part Number	Figure type	A Maximum	B Maximum	C Typical	D Minimum	E Maximum	F Typical
JK120-010	1	7.9	13	5.1	7.6	3.8	2.2
JK120-017	1	7.9	13	5.1	7.6	3.8	2.2
JK120-020	1	7.9	13	5.1	7.6	3.8	2.2
JK120-025	1	7.9	13	5.1	7.6	3.8	2.2
JK120-030	1	7.9	13	5.1	7.6	3.8	2.2
JK120-040	1	8.2	14.2	5.1	7.6	3.8	2.2
JK120-050	1	9.2	14.9	5.1	7.6	3.8	2.2
JK120-065	1	9.7	14.9	5.1	7.6	3.8	2.2
JK120-070	1	10.6	15.5	5.1	7.6	3.8	2.2
JK120-075	2	10.9	17	5.1	7.6	4.1	2.2
JK120-090	1	11.9	15.9	5.1	7.6	3.8	2.2
JK120-100	2	11.5	20.1	5.1	7.6	4.1	2.2
JK120-110	1	13.3	18.3	5.1	7.6	4.1	2.2
JK120-125	2	14	21.7	5.1	7.6	4.1	2.2
JK120-130	1	15.5	20.6	5.1	7.6	4.1	2.2
JK120-135	2	16.3	21.7	5.1	7.6	4.1	2.2
JK120-160	1	17.5	22.5	5.1	7.6	4.1	2.2
JK120-185	1	19.9	24.9	5.1	7.6	4.1	2.2
JK120-200	2	23.5	27.9	10.2	7.6	4.1	2.2
JK120-250	1	22.5	27.5	10.2	7.6	4.1	2.2
JK120-300	1	25.5	30	10.2	7.6	4.1	2.2
JK120-375	1	29.5	34	10.2	7.6	4.1	2.2

ORDER INFORMATION

ProductNO.: KLS5-JK 120-150





PTC Resettable Fuses Series

KLS5-JK120 PTC Resettable Fuses Series

Electrical characteristics (25°C)

Part NumberM	Hold	Trip	Max.Time	Maximum	Rated	Typical	Resistance	R1MAX
	Current	Current	to Trip	Current	Voltage	Power	RMIN	
	I _H , A	I _T , A	at 5xI _H , S	I _{MAX} , A	V _{MAX} , Vdc	P _d , W	ohms	
JK120-010	0.1	0.2	10	2	120	0.84	3	7.5
JK120-017	0.17	0.34	10	2	120	0.84	2	7
JK120-020	0.2	0.4	9	2	120	1.08	1.83	4.4
JK120-025	0.25	0.5	7.5	3	120	1.08	1.25	3
JK120-030	0.3	0.6	8.5	3	120	1.44	0.88	2.1
JK120-040	0.4	0.8	6.5	3	120	1.44	0.55	1.29
JK120-050	0.5	1	6	3	120	1.56	0.5	1.17
JK120-065	0.65	1.3	5.7	5	120	1.68	0.31	0.72
JK120-070	0.75	1.5	6.3	5	120	1.8	0.25	0.6
JK120-075	0.75	1.5	15	7.5	120	2.64	0.25	0.69
JK120-090	0.9	1.8	7.2	5	120	1.8	0.2	0.47
JK120-100	1	2	15	10	120	2.64	0.18	0.47
JK120-110	1.1	2.2	8.2	8	120	2.28	0.15	0.38
JK120-125	1.25	2.5	20	12.5	120	2.88	0.11	0.33
JK120-130	1.35	2.7	9.6	10	120	2.64	0.12	0.3
JK120-135	1.35	2.7	20	13.5	120	3.12	0.11	0.3
JK120-160	1.6	3.2	11.4	12	120	3.12	0.09	0.22
JK120-185	1.85	3.7	12.6	12	120	3.36	0.08	0.19
JK120-200	2	4.2	36	20	120	4.32	0.08	0.21
JK120-250	2.5	5	15.6	15	120	4.44	0.05	0.13
JK120-300	3	6	19.8	17	120	4.56	0.04	0.1
JK120-375	3.75	7.5	24	20	120	4.8	0.03	0.08

ORDER INFORMATION

ProductNO.: KLS5-JK 120-150

Pos. No. _____
PTC Resettable Fuses Series

Hold Current

Withstand voltage