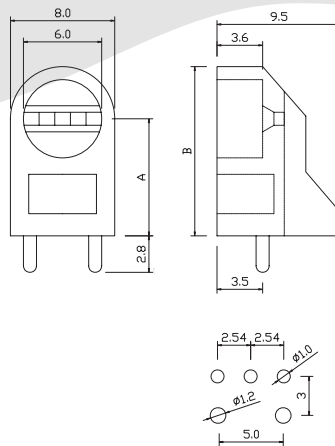


Led Spacer Support Series

KLS8-0128 Led Spacer Support Series



Material: UL approved Nylon 66, 94V-2
No tools are required
Unit:mm



Model No.	A	B	Packaging
LED-05	5	8.75	1000PCS
LED-06	6	9.75	
LED-07	7	10.75	
LED-08	8	11.75	
LED-09	9	12.75	
LED-10	10	13.75	
LED-11	11	14.75	
LED-11.5	11.5	15	
LED-12	12	15.75	
LED-14	14	17.75	
LED-15	15	18.75	
LED-16	16	19.75	
LED-17	17	20.75	
LED-18	18	21.75	
LED-19	19	22.75	
LED-20	20	23.75	

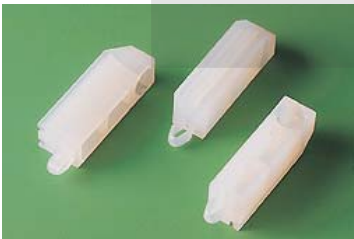
ORDER INFORMATION

KLS8-0128-LED-5.0

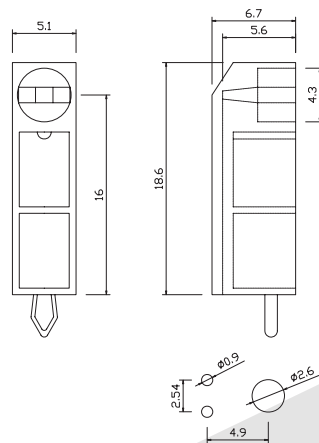
High
90° LED Spacer Support Series
Part Number

Led Spacer Support Series

KLS8-0135 Led Spacer Support Series



Material: UL approved Nylon 66, 94V-2
Unit:mm



ORDER INFORMATION

KLS8-0135-PLM-18.6

High
90° LED Spacer Support Series
Part Number