

TERMINAL BLOCK Connector



Pluggable Series

KLS2-EDKDM-5.00/5.08 Series Pitch=5.00mm/5.08mm

Electrical :

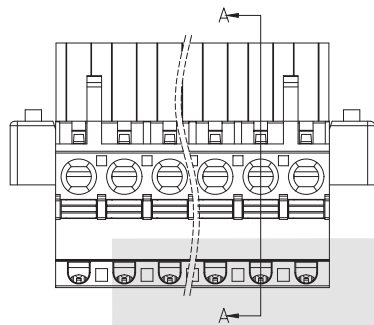
- Rated voltage: 300V
- Rated current: 15A
- Contact resistance: 20mΩ
- Insulation resistance: 5000MΩ/1000V
- Withstanding Voltage: AC1500V/1Min

Material

- Housing: Pa66, UL94V-0
- Screws: M2.5, steel, Zinc plated
- Contact :Phosphor Bronze

Mechanical

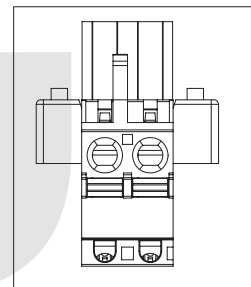
- Temp. Range: -40°C~+105°C
- MAX Soldering: +250°C for 5 Sec
- Wire range: 28-12AWG 2.5mm²
- Torque:0.4Nm (3.6Lb. in)
- Strip length: 7-8 mm



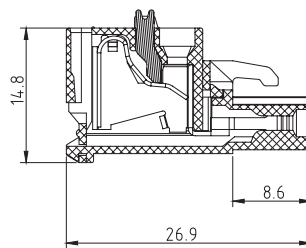
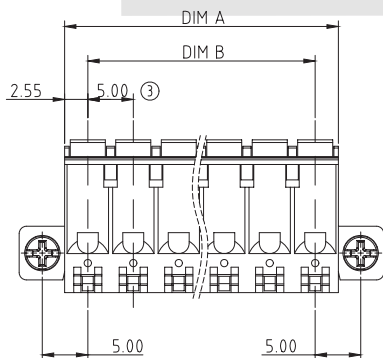
Dimension

DIM A	$N \times 5.0 + 0.10$
DIM B	$(N-1) \times 5.0$

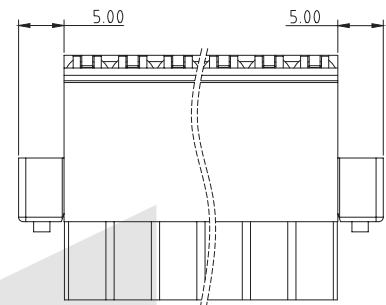
N=Number of poles



2P



SECTION A-A



ORDER INFORMATION

Product NO.: KLS2-EDKDM-5.00-XXP X X

Pos. NO.	_____	Customer Request	_____
Series No.	_____	Color: 1=Gray	2=Blue
Pitch: 5.00=5.00mm	5.08=5.08mm	4=Green	5=Orange
7.62=7.62mm	_____	7=Transparent	8=Yellow
Number of Pole	_____	6=Red	3=Black
		9=White	