

TERMINAL BLOCK Connector

Pluggable Series

KLS2-EDKD-5.00/5.08 Series Pitch=5.00mm/5.08mm

Electrical :

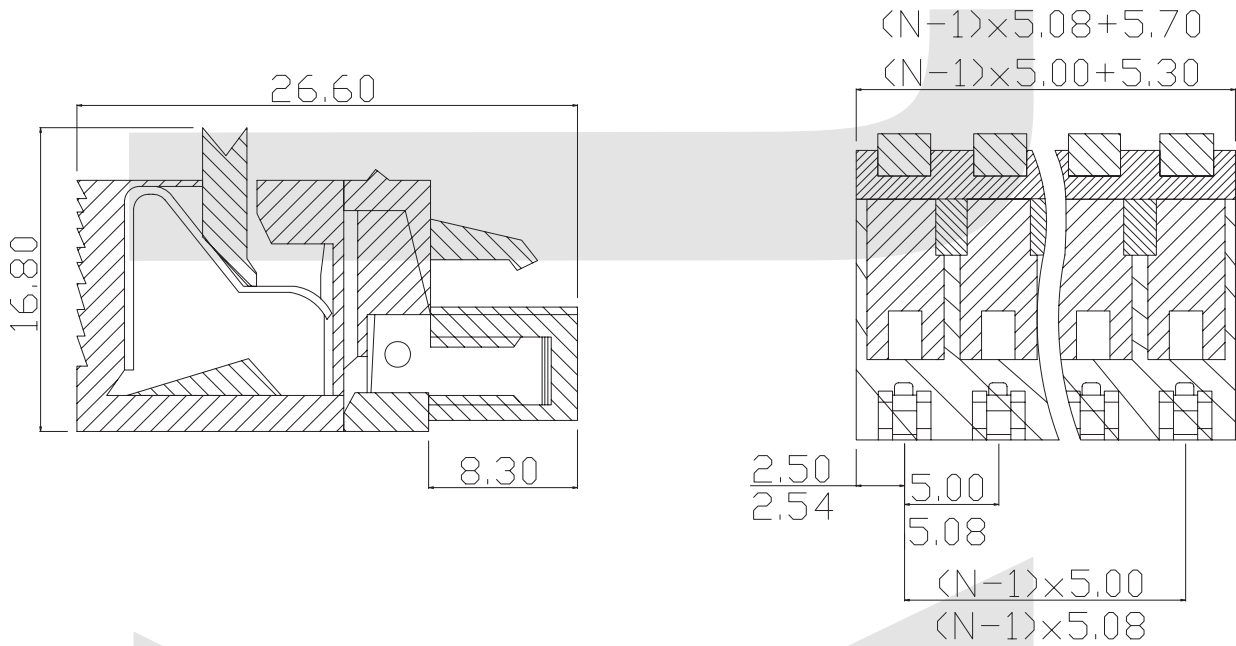
Rated voltage: 300V
Rated current: 10A
Contact resistance: 20mΩ
Insulation resistance: 5000MΩ/1000V
Withstanding Voltage: AC2000V/1Min

Material

Housing: PA66, UL94V-0
Contact: Stainless steel

Mechanical

Temp. Range: -40°C~+105°C
Wire range: 26-12AWG 2.5mm²
Strip length: 10-11mm



ORDER INFORMATION

Product NO.: KLS2-EDKD-5.00-XXP X X

