

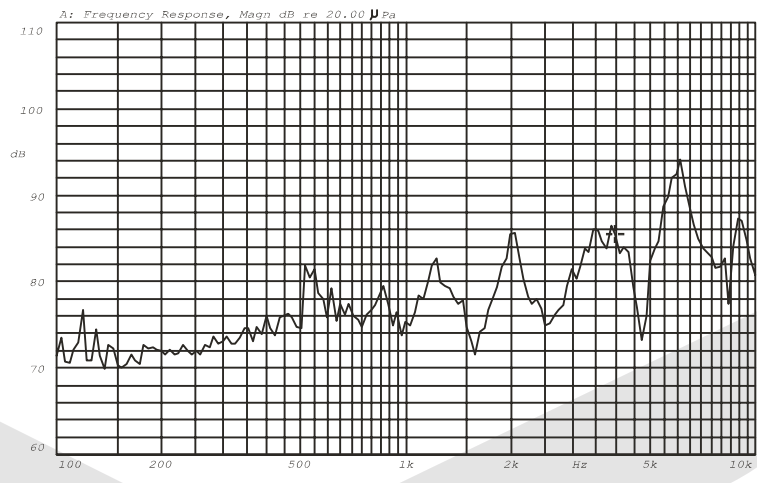
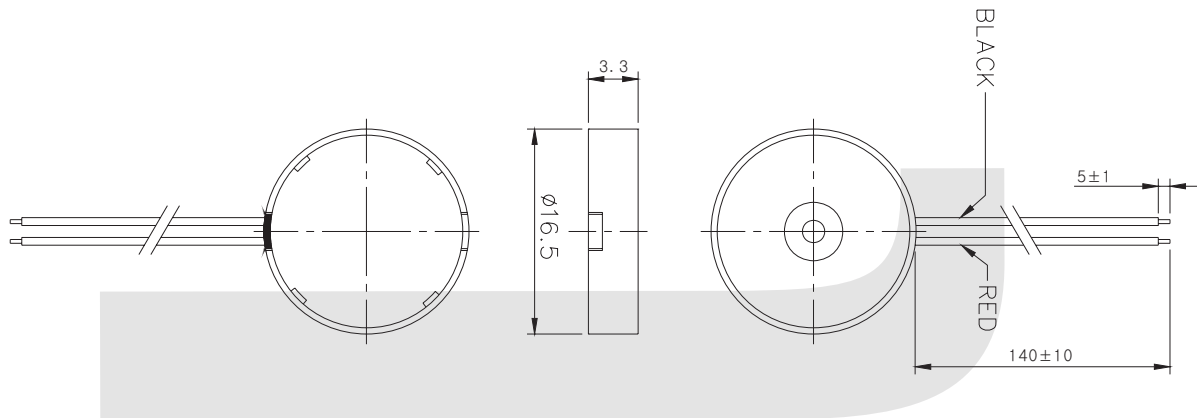
Piezo Transducer Series

KLS3-LPT-17*04-A Without Circuit Piezo Transducer Buzzer Series

Order Code	KLS3-LPT-17*04-A
Rated Voltage	9Vp-p
Operating Voltage	3...30Vp-p
Max. Rated Current	1.5mA
Resonant Frequency	4±0.5KHz
Min.S.P.L. (@10cm)	72dB
Capacitance at 1,000Hz	9500±30% pF
Operating Temp	-20°C~+70°C
Weight	1.2g

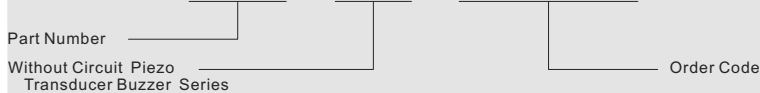


Dimensions (Unit:mm)



ORDER INFORMATION

Product No.: **KLS3 - LPT - 17*04-A**



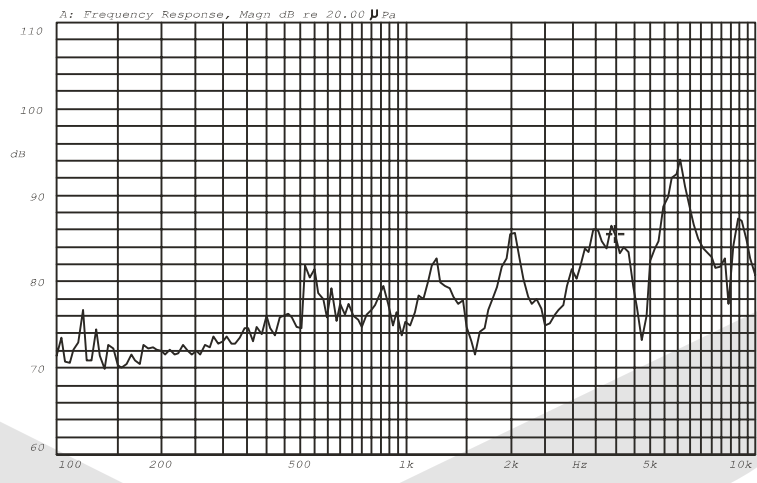
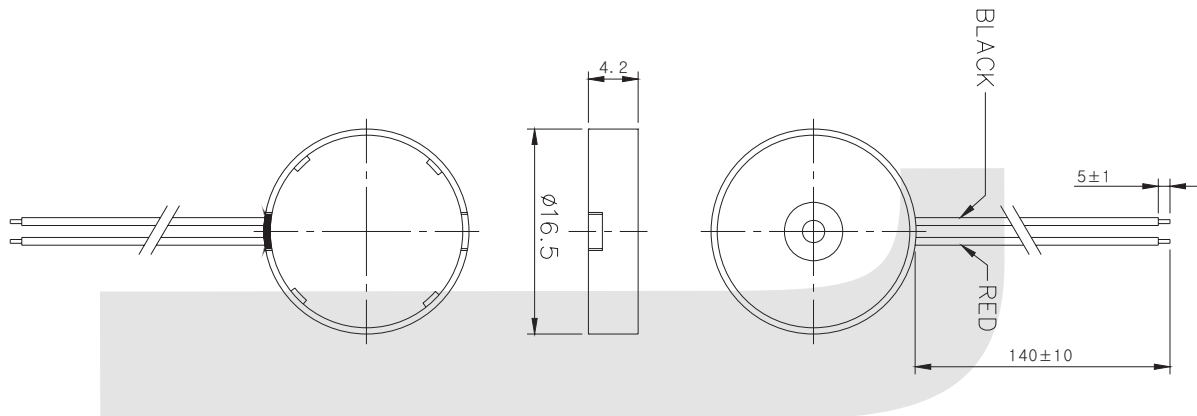
Piezo Transducer Series

KLS3-LPT-17*04-B Without Circuit Piezo Transducer Buzzer Series

Order Code	KLS3-LPT-17*04-B
Rated Voltage	9Vp-p
Operating Voltage	3...30Vp-p
Max. Rated Current	3mA
Resonant Frequency	4±0.5KHz
Min.S.P.L. (@10cm)	80dB
Capacitance at 1,000Hz	14000±30% pF
Operating Temp	-20°C~+70°C
Weight	1.2g



Dimensions (Unit:mm)



ORDER INFORMATION

Product No.: **KLS3 - LPT - 17*04-B**

