



## AC INLET Series

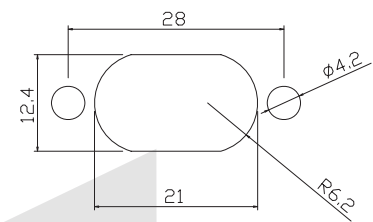
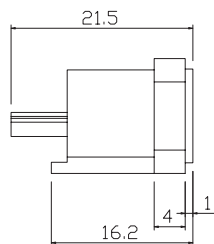
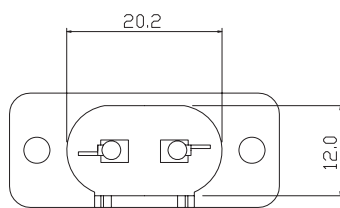
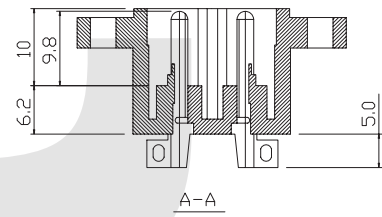
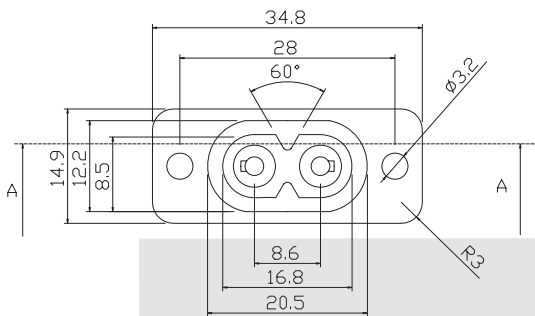
KLS1-AS-222-11 C8 AC INLET Series

### SPECIFICATION:

Standard: IEC 60320 C8  
 Voltage rating: 250V AC  
 Rating: 250VAC 10A (2.5A)  
 Insulation Resistance: 100MΩ 500V DC / 1 minute  
 Dielectric Strength: 2000V AC / 1 minute  
 Temperature range: -45°C ~ +105°C

### Material:

Housing Material: PBT UL 94V-0 or PA66/PC UL 94V-0  
 Terminal: Brass, plating Ni.



PANEL CUT-OUT

## ORDER INFORMATION

Product NO.: KLS1-AS-222-11

Pos. NO. \_\_\_\_\_

AC Inlet Type \_\_\_\_\_