

## DIN 41612 Series

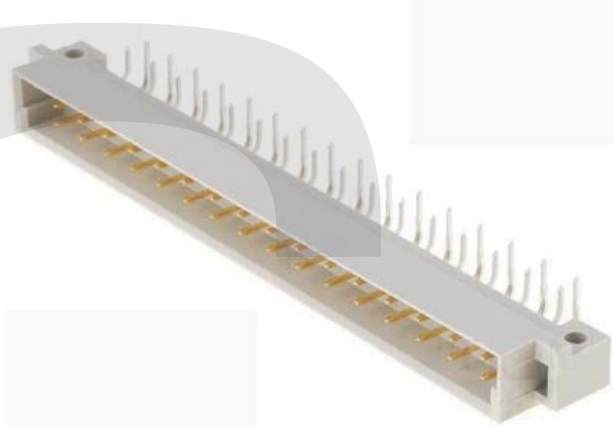
### KLS1-D2 2x32Pin Two row Long B Type

**Electrical:**

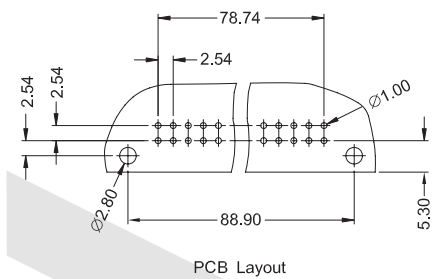
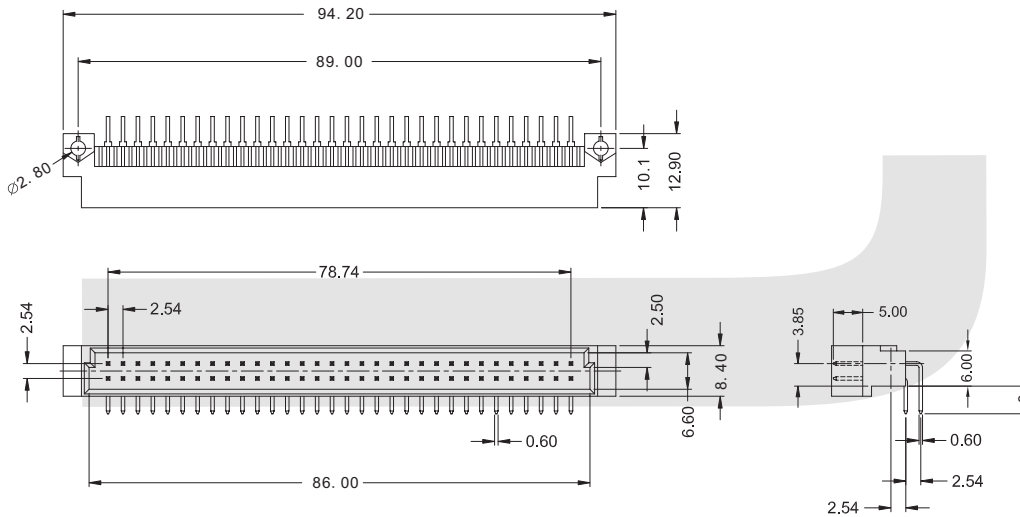
Contact Resistance: 30 mΩ Max. At DC 100mA  
 Insulator Resistance: 1000MΩ Min. at 500VDC  
 Withstand Voltage: 1000 VAC for 1 minute  
 Current Rating: 2 AMP  
 Voltage Rating: 250 VAC  
 Operating Temperature: -55°C~+105°C

**Material:**

Insulator: Glass-filled thermoplastic PBT UL94V-0  
 Contacts: Male-Brass / Female-Phosphor Bronze  
 Plating: full gold or selected gold in mating area.



Male-Right Pin/2x32Pin



Pitch	Position	Rows with Contacts	Contact Arrange	Part Number
2.54mm	64	a b		2264
	32	a -		2132
5.08mm	32	a b		2232
	16	a -		2116

## ORDER INFORMATION

Product No.: KLS1-D2-2264-MR

Pos. No. \_\_\_\_\_ Tail Style: S-4.0mm Straight pin  
 Din41612 2x32Pin Two row Long Type W1-13mm Straight pin  
 Part Number: 2264 / 2132 / 2232 / 2116 R-Right pin  
 Contact Type: M=Male F=Female

## DIN 41612 Series

### KLS1-D2 2x32Pin Two row Long B Type

**Electrical:**

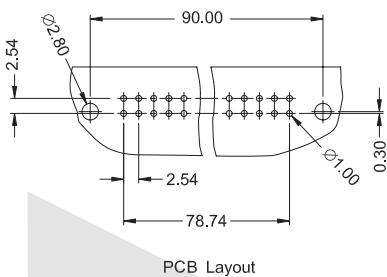
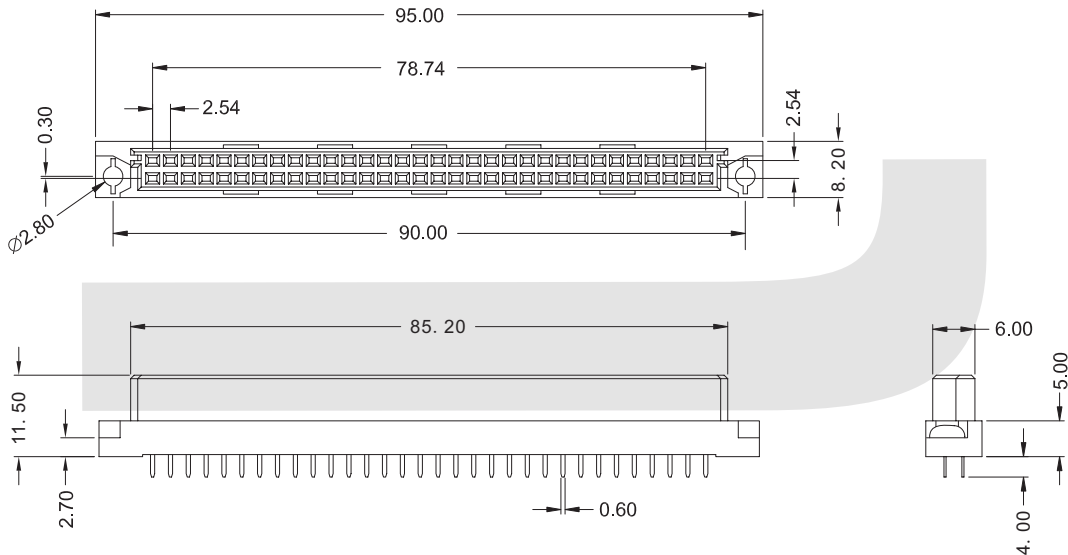
Contact Resistance: 30 mΩ Max. At DC 100mA  
 Insulator Resistance: 1000MΩ Min. at 500VDC  
 Withstand Voltage: 1000 VAC for 1 minute  
 Current Rating: 2 AMP  
 Voltage Rating: 250 VAC  
 Operating Temperature: -55°C~+105°C

**Material:**

Insulator: Glass-filled thermoplastic PBT UL94V-0  
 Contacts: Male-Brass / Female-Phosphor Bronze  
 Plating: full gold or selected gold in mating area.



Female-4.0mm Straight pin /2x32Pin



Pitch	Position	Rows with Contacts	Contact Arrange	Part Number
2.54mm	64	a b		2264
	32	a -		2132
5.08mm	32	a b		2232
	16	a -		2116

## ORDER INFORMATION

Product No.: KLS1-D2-2264-F S

Pos. No. \_\_\_\_\_ Tail Style: S-4.0mm Straight pin  
 Din41612 2x32Pin Two row Long Type \_\_\_\_\_ W1-13mm Straight pin  
 Part Number: 2264 / 2132 / 2232 / 2116 \_\_\_\_\_ R-Right pin  
 Contact Type: M=Male F=Female

## DIN 41612 Series

### KLS1-D2 2x32Pin Two row Long B Type

**Electrical:**

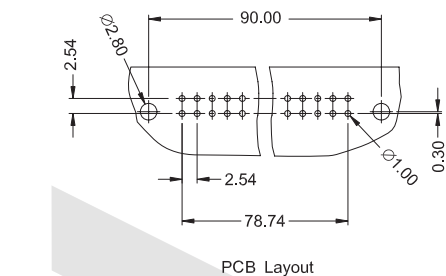
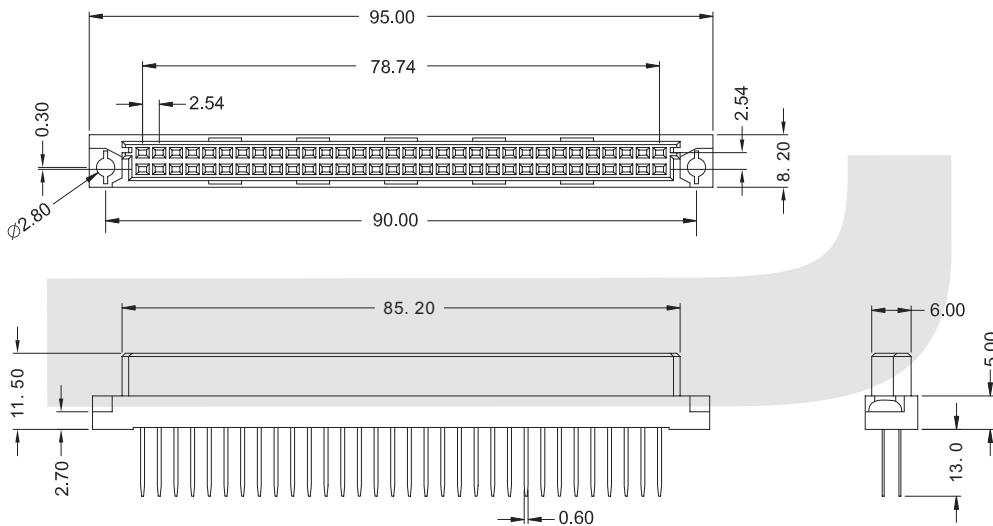
Contact Resistance: 30 mΩ Max. At DC 100mA  
 Insulator Resistance: 1000MΩ Min. at 500VDC  
 Withstand Voltage: 1000 VAC for 1 minute  
 Current Rating: 2 AMP  
 Voltage Rating: 250 VAC  
 Operating Temperature: -55°C~+105°C

**Material:**

Insulator: Glass-filled thermoplastic PBT UL94V-0  
 Contacts: Male-Brass / Female-Phosphor Bronze  
 Plating: full gold or selected gold in mating area.



### Female-13mm Straight pin /2x32Pin



Pitch	Position	Rows with Contacts	Contact Arrange	Part Number
2.54mm	64	a b		2264
	32	a -		2132
5.08mm	32	a b		2232
	16	a -		2116

## ORDER INFORMATION

Product No.: KLS1-D2-2264-MW1

Pos. No. \_\_\_\_\_ Tail Style: S-4.0mm Straight pin  
 Din41612 2x32Pin Two row Long Type \_\_\_\_\_ W1-13mm Straight pin  
 Part Number: 2264 / 2132 / 2232 / 2116 \_\_\_\_\_ R-Right pin  
 Contact Type: M=Male F=Female

## DIN 41612 Series

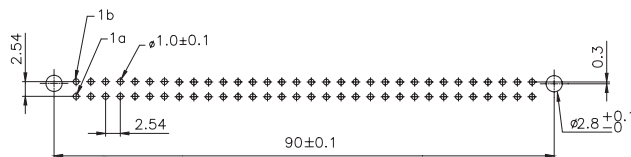
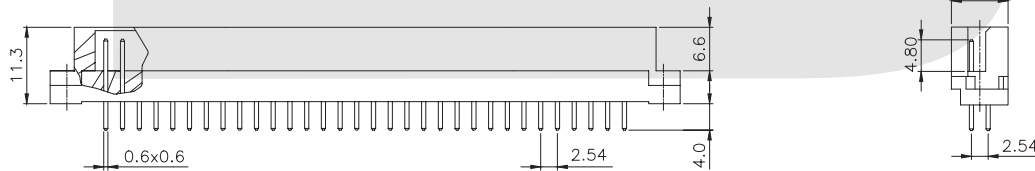
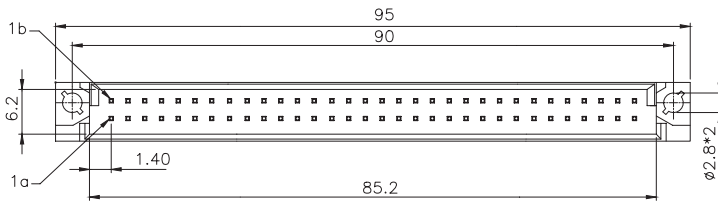
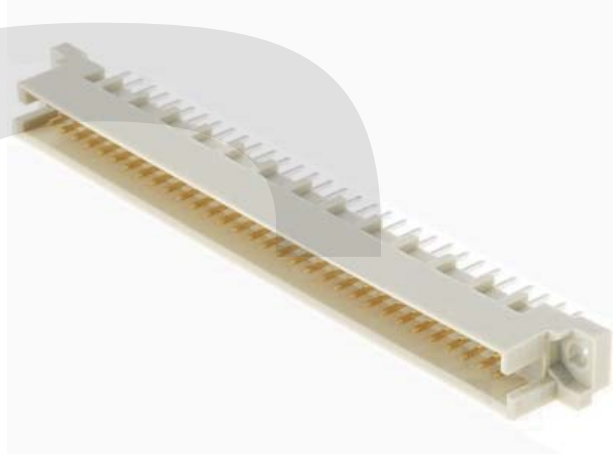
KLS1-D2 2x32Pin Two row Long Q Type

### Electrical:

Contact Resistance: 30 mΩ Max. At DC 100mA  
 Insulator Resistance: 1000MΩ Min. at 500VDC  
 Withstand Voltage: 1000 VAC for 1 minute  
 Current Rating: 2 AMP  
 Voltage Rating: 250 VAC  
 Operating Temperature: -55°C~+105°C

### Material:

Insulator: Glass-filled thermoplastic PBT UL94V-0  
 Contacts: Male-Brass / Female-Phosphor Bronze  
 Plating: full gold or selected gold in mating area.



PCB Layout

Pitch	Position	Rows with Contacts	Contact Arrange	Part Number
2.54mm	64	a b		2264
	32	a -		2132
5.08mm	32	a b		2232
	16	a -		2116

## ORDER INFORMATION

Product No.: KLS1-D2-2264-MS

Pos. No. \_\_\_\_\_ Tail Style: S-4.0mm Straight pin  
 Din41612 2x32Pin Two row Long Type \_\_\_\_\_ W1-13mm Straight pin  
 Part Number: 2264 / 2132 / 2232 / 2116 \_\_\_\_\_ R-Right pin  
 Contact Type: M=Male F=Female

## DIN 41612 Series

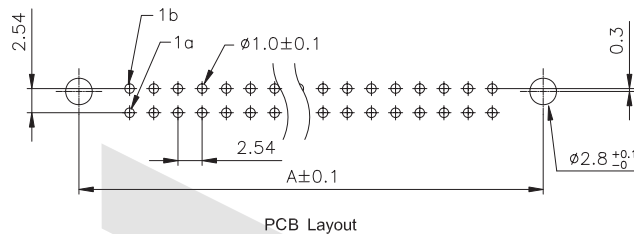
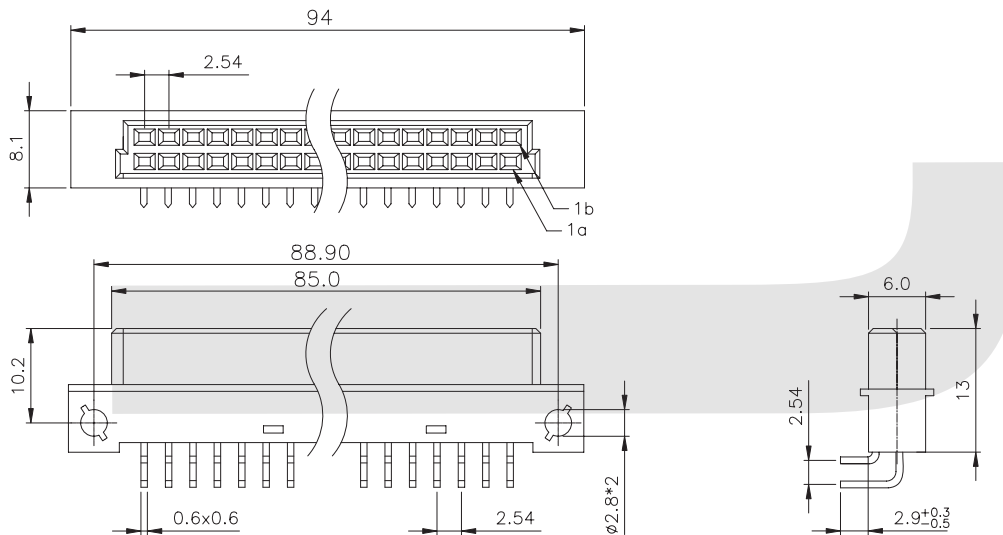
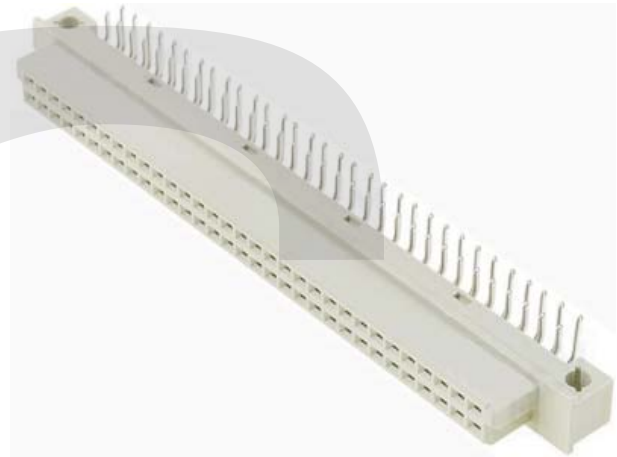
### KLS1-D2 2x32Pin Two row Long Q Type

#### Electrical:

Contact Resistance: 30 mΩ Max. At DC 100mA  
 Insulator Resistance: 1000MΩ Min. at 500VDC  
 Withstand Voltage: 1000 VAC for 1 minute  
 Current Rating: 2 AMP  
 Voltage Rating: 250 VAC  
 Operating Temperature: -55°C~+105°C

#### Material:

Insulator: Glass-filled thermoplastic PBT UL94V-0  
 Contacts: Male-Brass / Female-Phosphor Bronze  
 Plating: full gold or selected gold in mating area.



Pitch	Position	Rows with Contacts	Contact Arrange	Part Number
2.54mm	64	a b		2264
	32	a -		2132
5.08mm	32	a b		2232
	16	a -		2116

## ORDER INFORMATION

Product No.: KLS1-D2-2264-F R

Pos. No. \_\_\_\_\_ Tail Style: S-4.0mm Straight pin  
 Din41612 2x32Pin Two row Long Type \_\_\_\_\_ W1-13mm Straight pin  
 Part Number: 2264 / 2132 / 2232 / 2116 \_\_\_\_\_ R-Right pin  
 Contact Type: M=Male F=Female

## DIN 41612 Series

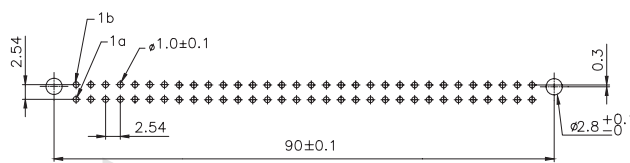
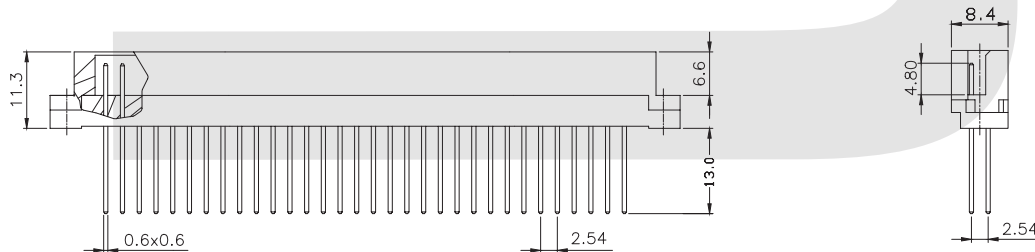
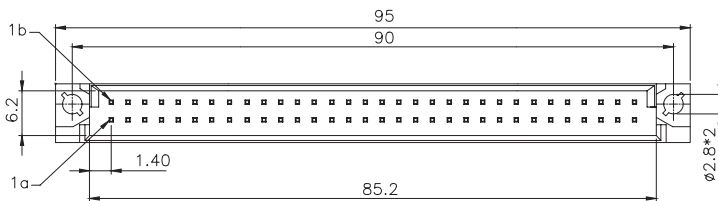
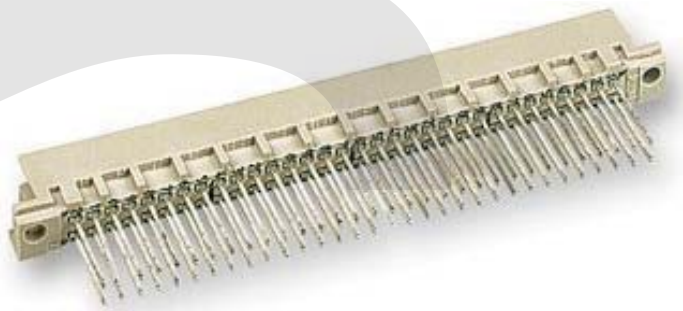
### KLS1-D2 2x32Pin Two row Long Q Type

#### Electrical:

Contact Resistance: 30 mΩ Max. At DC 100mA  
 Insulator Resistance: 1000MΩ Min. at 500VDC  
 Withstand Voltage: 1000 VAC for 1 minute  
 Current Rating: 2 AMP  
 Voltage Rating: 250 VAC  
 Operating Temperature: -55°C~+105°C

#### Material:

Insulator: Glass-filled thermoplastic PBT UL94V-0  
 Contacts: Male-Brass / Female-Phosphor Bronze  
 Plating: full gold or selected gold in mating area.



PCB Layout

Pitch	Position	Rows with Contacts	Contact Arrange	Part Number
2.54mm	64	a b		2264
	32	a -		2132
5.08mm	32	a b		2232
	16	a -		2116

## ORDER INFORMATION

Product No.: KLS1-D2-2264-MW1

Pos. No. \_\_\_\_\_ Tail Style: S-4.0mm Straight pin  
 Din41612 2x32Pin Two row Long Type \_\_\_\_\_ W1-13mm Straight pin  
 Part Number: 2264 / 2132 / 2232 / 2116 \_\_\_\_\_ R-Right pin  
 Contact Type: M=Male F=Female