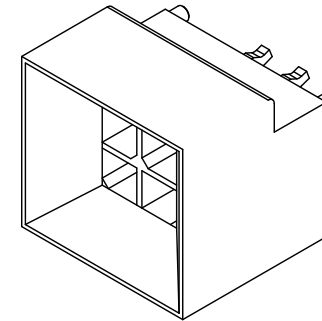
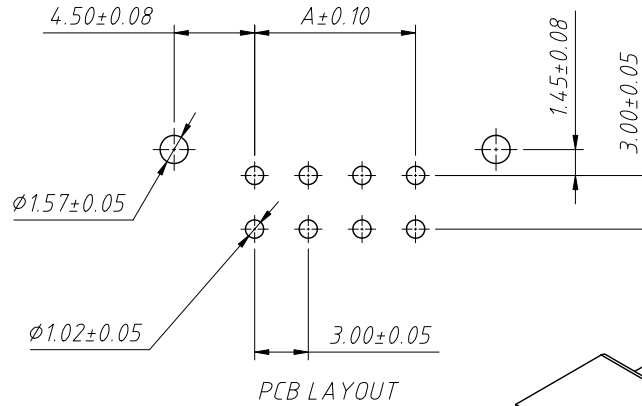
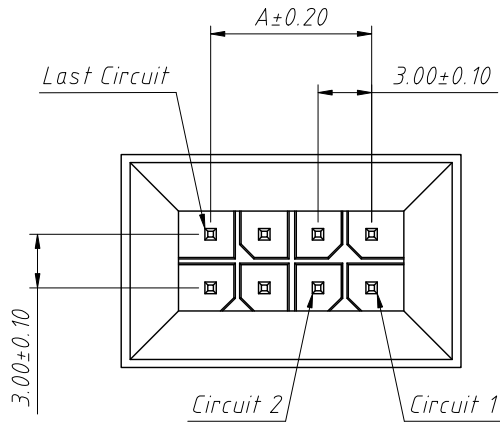


1 RoHS Compliance



Material:

Housing:LCP,UL 94V-0

Color:Blank-Natural Color

Pin:Brass,Bright Tin Plating

Electrical Characteristics:

Current rating:5.0A AC,DC

Voltage rating:250V AC,DC

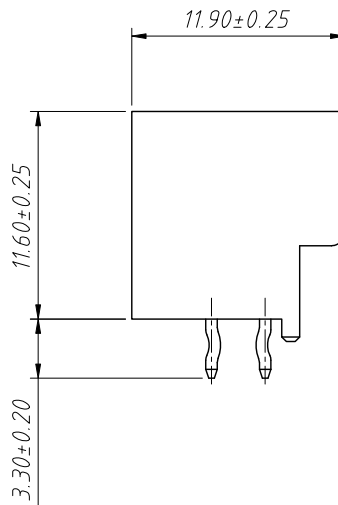
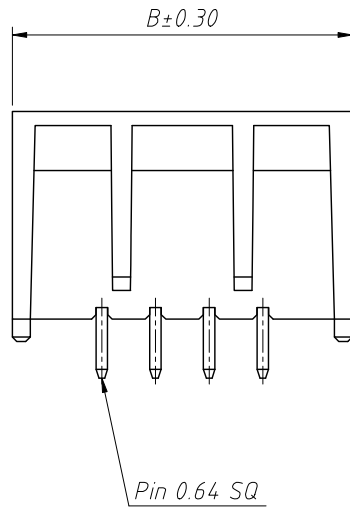
Insulation resistance:1000MΩ Min.

Withstanding voltage:1000V AC minute

Contact resistance:10mΩ Max.

After environmental testing:20mΩ Max.

Temperature range:-25°C~+85°C



| Pin | Dimensions(mm) | |
|------|----------------|-------|
| | A | B |
| 2×02 | 3.00 | 13.00 |
| 2×03 | 6.00 | 16.00 |
| 2×04 | 9.00 | 19.00 |
| 2×05 | 12.00 | 22.00 |
| 2×06 | 15.00 | 25.00 |
| 2×07 | 18.00 | 28.00 |
| 2×08 | 21.00 | 31.00 |
| 2×09 | 24.00 | 34.00 |
| 2×10 | 27.00 | 37.00 |
| 2×11 | 30.00 | 40.00 |
| 2×12 | 33.00 | 43.00 |

Order Information:

L-KLS1-XM3-3.00-2×XX-S2

L: RoHS

Wire To Board

Connector

Pitch:3.00mm

2-Double layer

XX-No.of 04~24 pins

Type:

MH/FH-Housing MT/FT-Terminal

S1/S2-Straight male pin

R1/R2-Right angle male pin

| | | | |
|-------------------|------------|--------------|--------------------------------------|
| ANGLE TOLERANCE | PROJECTION | Description: | 3.0mm Pitch Micro-Fit |
| ±3° | | | 44133/44300 Straight 180° and Female |
| GENERAL TOLERANCE | UNITS | mm | KLS P/N: |
| x.x ±0.30 | SHEET SIZE | A4 | L-KLS1-XM3-3.00-2×XX-S2 |
| x.xx ±0.20 | Draw: | Daniel | 2020-11-11 |
| x.xxx ±0.10 | Check: | Daniel | 2020-11-11 |



NingBo KLS ELECTRONIC CO.,LTD.