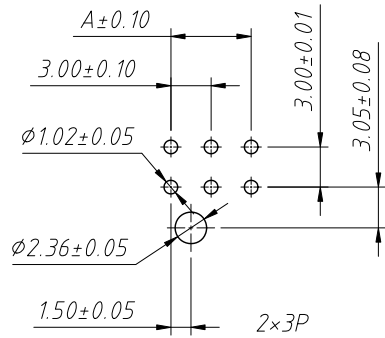
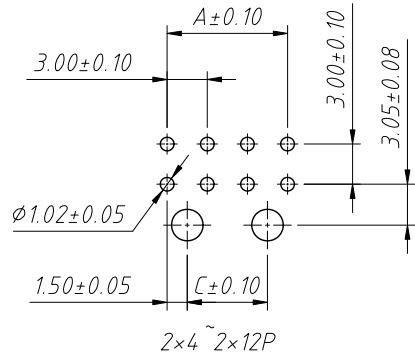
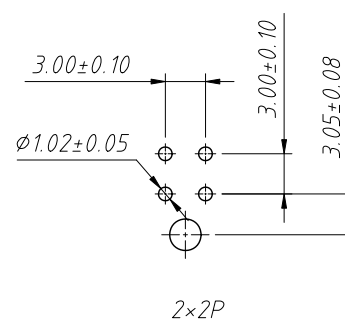


1 RoHS Compliance

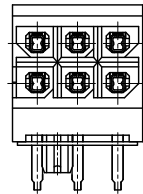
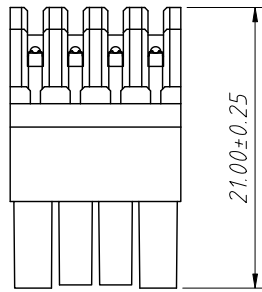


PCB LAYOUT

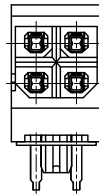


Material:  
Housing:LCP,UL 94V-0  
Color:Blank-Natural Color  
Pin:Brass,Bright Tin Plating

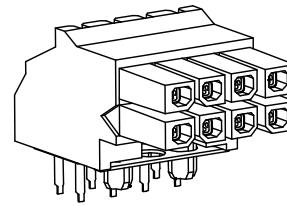
Electrical Characteristics:  
Current rating:5.0A AC,DC  
Voltage rating:250V AC,DC  
Insulation resistance:1000MΩ Min.  
Withstanding voltage:1000V AC minute  
Contact resistance:10mΩ Max.  
After environmental testing:20mΩ Max.  
Temperature range:-25°C~+85°C



2x3P

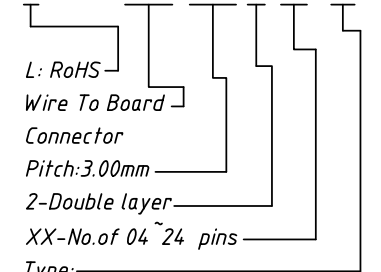


2x2P



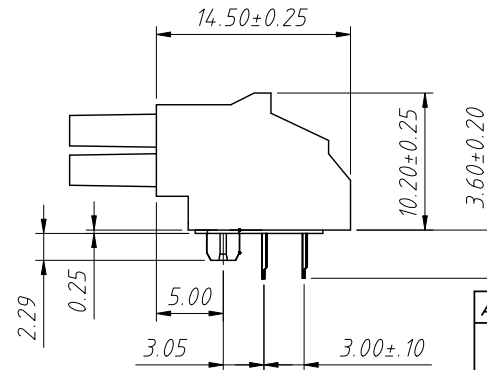
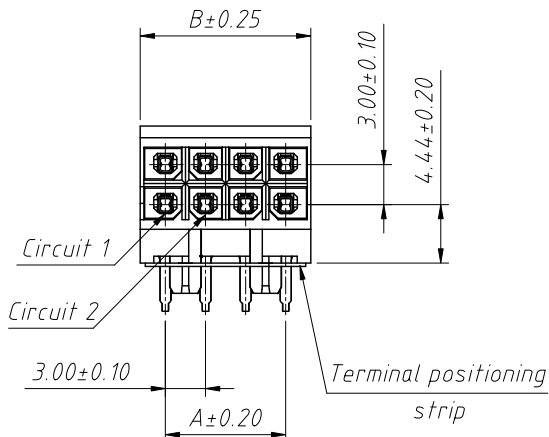
Order Information:

L-KLS1-XM3-3.00-2×XX-R1



Pin	Dimensions (mm)		
	A	B	C
2×02	3.00	6.70	---
2×03	6.00	9.70	---
2×04	9.00	12.70	6.00
2×05	12.00	15.70	9.00
2×06	15.00	18.70	12.00
2×07	18.00	21.70	15.00
2×08	21.00	24.70	18.00
2×09	24.00	27.70	21.00
2×10	27.00	30.70	24.00
2×11	30.00	33.70	27.00
2×12	33.00	36.70	30.00

Type:  
MH/FH-Housing MT/FT-Terminal  
S1/S2-Straight male pin  
R1/R2-Right angle male pin



ANGLE TOLERANCE	PROJECTION	Description:	3.0mm Pitch Micro-Fit
±3°			44133/44300 Right angle 90° and Male
GENERAL TOLERANCE	UNITS	mm	KLS P/N:
x.x ±0.30	SHEET SIZE	A4	L-KLS1-XM3-3.00-2×XX-R1
x.xx ±0.20	Draw:	Daniel	2020-11-11
x.xxx ±0.10	Check:	Daniel	2020-11-11



NingBo KLS ELECTRONIC CO.,LTD.