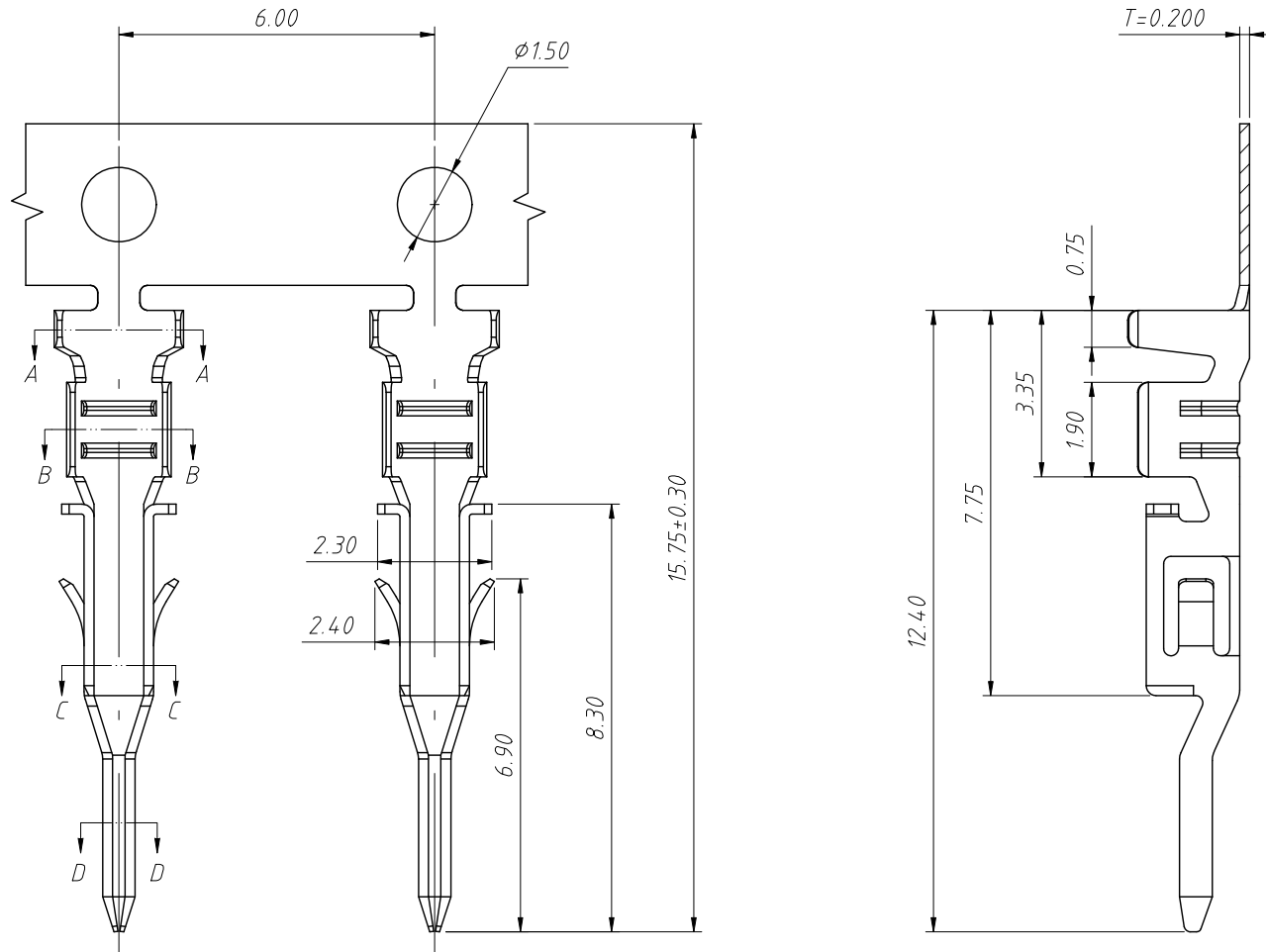


1 RoHS Compliance

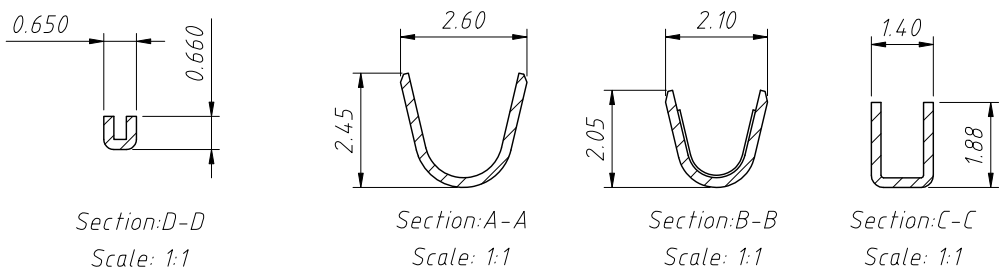
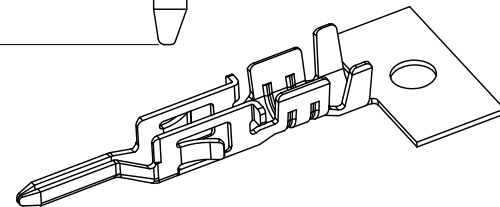


Material:  
Terminal: Phosphor bronze  
Finish: Plated Tin over Nickel

Electrical Characteristics:  
Current rating: 5.0A AC, DC  
Voltage rating: 250V AC, DC  
Insulation resistance: 1000M $\Omega$  Min.  
Withstanding voltage: 1000V AC minute  
Contact resistance: 10m $\Omega$  Max.  
Wire range: AWG#20 ~ #24  
Insulation O.D.: 1.85mm (Max)  
Temperature range: -45°C ~ +105°C

Order Information:  
L-KLS1-XM3-3.00-MT

L: RoHS  
Wire To Board  
Connector  
Pitch: 3.00mm  
Type:  
MH/FH-Housing MT/FT-Terminal  
S1/S2-Straight male pin  
R1/R2-Right angle male pin



ANGLE TOLERANCE	PROJECTION	Description:	3.0mm Pitch Male Terminal	
$\pm 3^\circ$				
GENERAL TOLERANCE	UNITS	mm	KLS P/N:	L-KLS1-XM3-3.00-MT
x.x $\pm 0.30$	SHEET SIZE	A4		
x.xx $\pm 0.20$	Draw:	Daniel	2020-11-11	
x.xxx $\pm 0.10$	Check:	Daniel	2020-11-11	

NingBo KLS ELECTRONIC CO.,LTD.