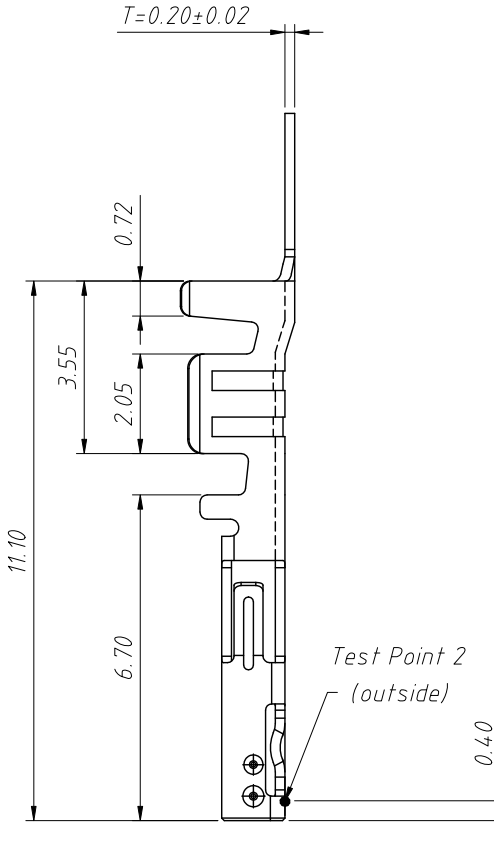
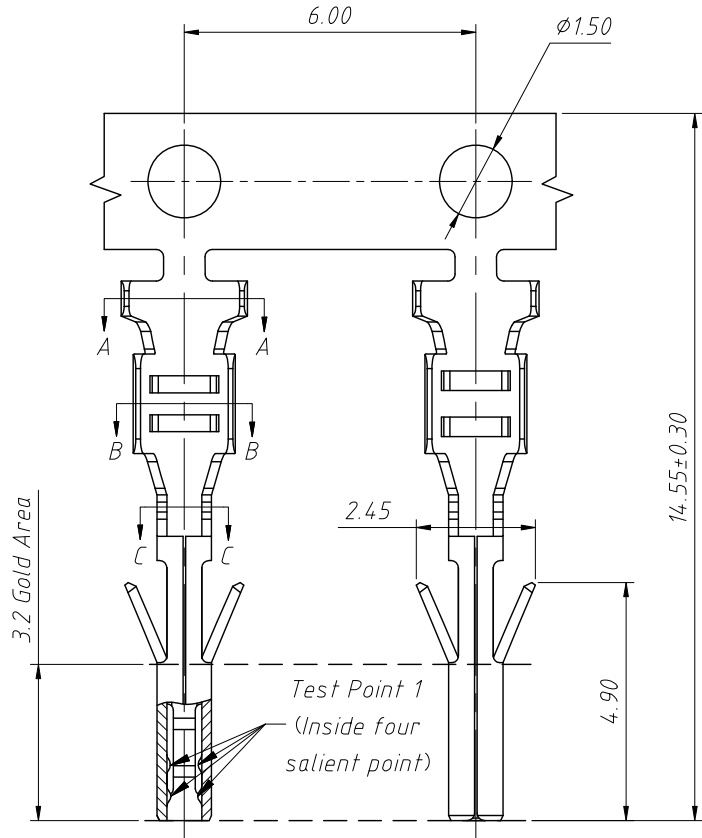


1 RoHS Compliance

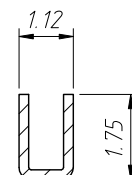
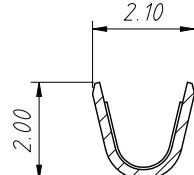
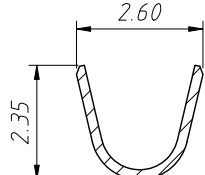
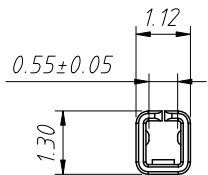
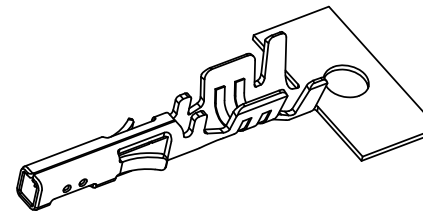


Material:
Terminal: Phosphor bronze
Finish: Plated Tin over Nickel

Electrical Characteristics:
Current rating: 5.0A AC, DC
Voltage rating: 250V AC, DC
Insulation resistance: 1000M Ω Min.
Withstanding voltage: 1000V AC minute
Contact resistance: 10m Ω Max.
Wire range: AWG#20 ~ #24
Insulation O.D.: 1.85mm (Max)
Temperature range: -45 $^{\circ}$ C ~ +105 $^{\circ}$ C

Order Information:
L-KLS1-XM3-3.00- FT

L: RoHS
Wire To Board
Connector
Pitch: 3.00mm
Type: _____
MH/FH-Housing MT/FT-Terminal
S1/S2-Straight male pin
R1/R2-Right angle male pin



Section: A-A
Scale: 1:1

Section: B-B
Scale: 1:1

Section: C-C
Scale: 1:1

ANGLE TOLERANCE	PROJECTION	Description:	3.0mm Pitch Female Terminal	
$\pm 3^{\circ}$				
GENERAL TOLERANCE	UNITS	mm	KLS P/N:	L-KLS1-XM3-3.00-FT
x.x ± 0.30	SHEET SIZE	A4		
x.xx ± 0.20	Draw:	Daniel	2020-11-11	
x.xxx ± 0.10	Check:	Daniel	2020-11-11	

KLS NingBo KLS ELECTRONIC CO.,L.TD.