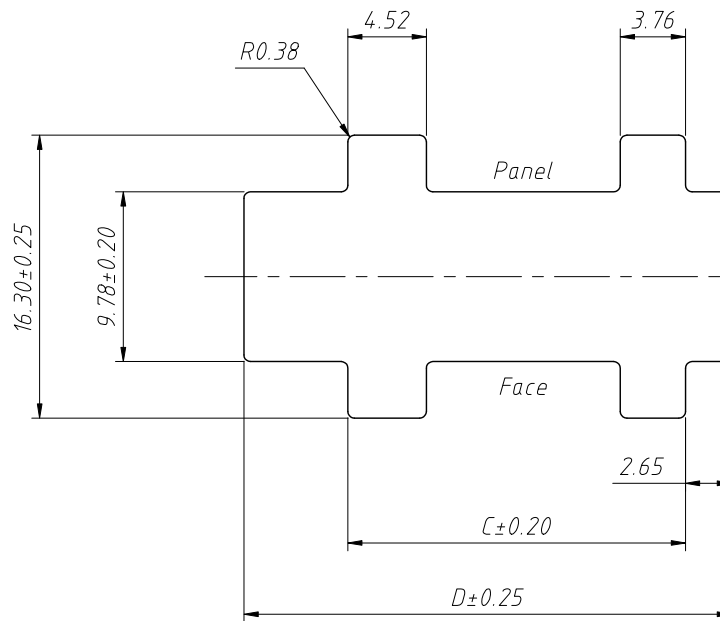
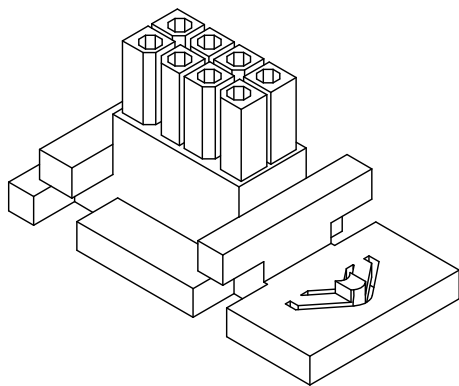


1 RoHS Compliance

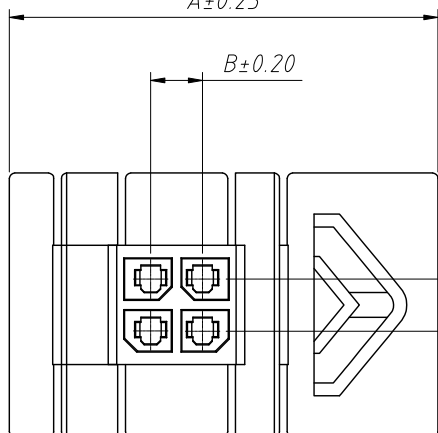


Material:
Housing: PA66, UL 94V-0
Color: Blank-Natural Color

Electrical Characteristics:
Current rating: 5.0A AC, DC
Voltage rating: 250V AC, DC
Insulation resistance: 1000M Ω Min.
Withstanding voltage: 1000V AC minute
Contact resistance: 10m Ω Max.
After environmental testing: 20m Ω Max.
Temperature range: -25 $^{\circ}$ C ~ +85 $^{\circ}$ C

A \pm 0.25

B \pm 0.20



3.00 \pm 0.10

PANEL OPENING
RECOMMENDED PANEL THICKNESS
1.57 / 1.27

Order Information:
L-KLS1-XM3-3.00-2 \times XX-MH

L: RoHS
Wire To Board
Connector
Pitch: 3.00mm
2-Double layer
XX-No. of 04 ~ 24 pins
Type:
MH/FH-Housing MT/FT-Terminal
S1/S2-Straight male pin
R1/R2-Right angle male pin

Pin	Dimensions(mm)			
	A	B	C	D
2 \times 02	24.70	3.00	13.46	22.10
2 \times 03	27.70	6.00	16.46	25.10
2 \times 04	30.70	9.00	19.46	28.10
2 \times 05	33.70	12.00	22.46	31.10
2 \times 06	36.70	15.00	25.46	34.10
2 \times 07	39.70	18.00	28.46	37.10
2 \times 08	42.70	21.00	31.46	40.10
2 \times 09	45.70	24.00	34.46	43.10
2 \times 10	48.70	27.00	37.46	46.10
2 \times 11	51.70	30.00	40.46	49.10
2 \times 12	54.70	33.00	43.46	52.10

ANGLE TOLERANCE	PROJECTION	Description:	3.0mm Pitch Micro-Fit
$\pm 3^{\circ}$			44133/44300 Wire To Board Connector
GENERAL TOLERANCE	UNITS	mm	KLS P/N:
x.x ± 0.30	SHEET SIZE	A4	L-KLS1-XM3-3.00-2 \times XX-MH
x.xx ± 0.20	Draw:	Daniel	2020-11-11
x.xxx ± 0.10	Check:	Daniel	2020-11-11



NingBo KLS ELECTRONIC CO.,LTD.

