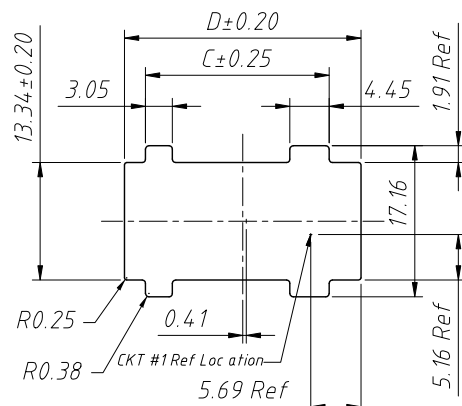
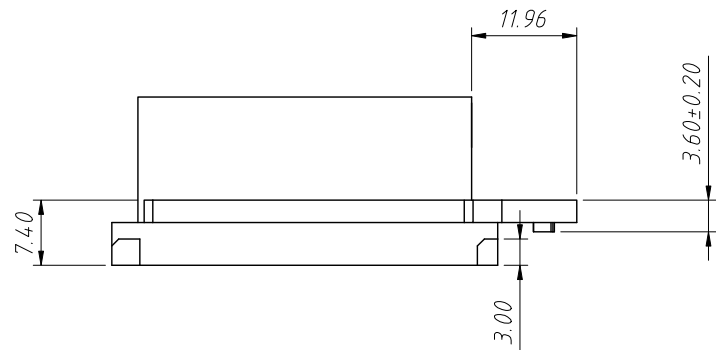


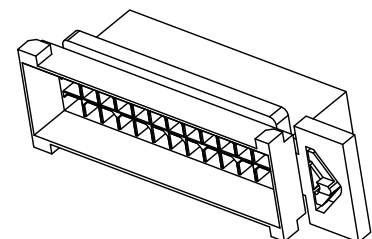
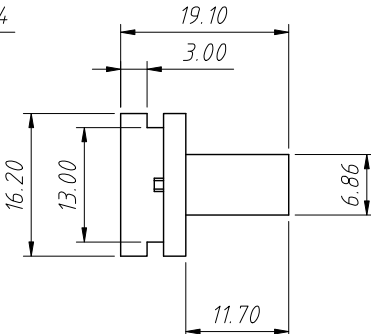
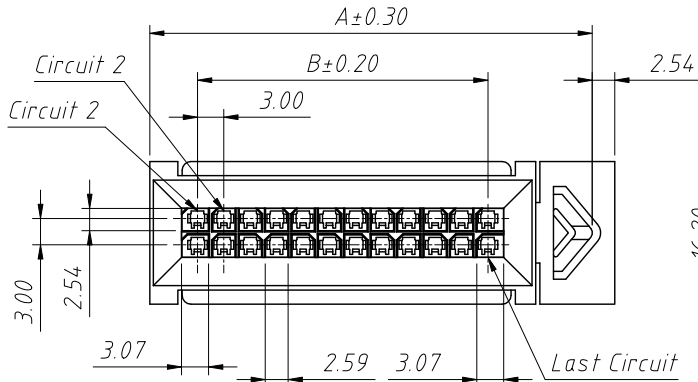
1 RoHS Compliance



Material:  
Housing: PA66, UL 94V-0  
Color: Blank-Natural Color

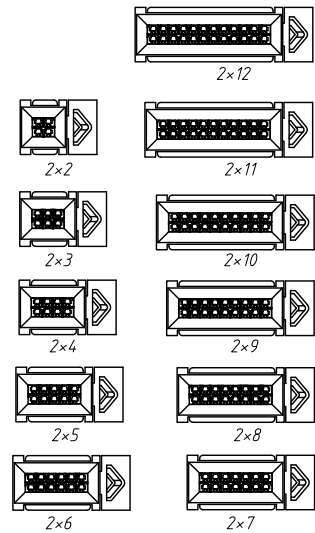
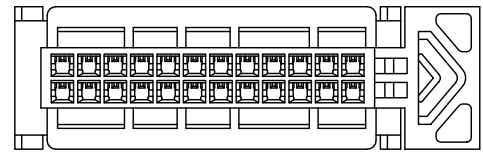
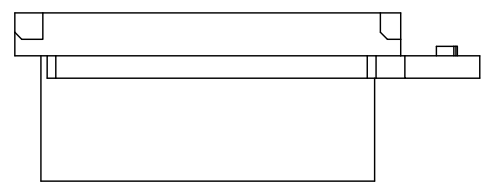
Electrical Characteristics:  
Current rating: 5.0A AC, DC  
Voltage rating: 250V AC, DC  
Insulation resistance: 1000MΩ Min.  
Withstanding voltage: 1000V AC minute  
Contact resistance: 10mΩ Max.  
After environmental testing: 20mΩ Max.  
Temperature range: -25°C ~ +85°C

RECOMMENDED PANEL CUT-OUT  
THICK: 1.27mm Min / 1.57mm Max



Order Information:  
L-KLS1-XM3-3.00-2×XX-FH  
L: RoHS  
Wire To Board  
Connector  
Pitch: 3.00mm  
2-Double layer  
XX-No. of 04 ~ 24 pins  
Type:  
MH/FH-Housing MT/FT-Terminal  
S1/S2-Straight male pin  
R1/R2-Right angle male pin

Pin	Dimensions(mm)			
	A	B	C	D
2×02	20.30	3.00	14.85	20.85
2×03	23.30	6.00	17.85	23.85
2×04	26.30	9.00	20.85	26.85
2×05	29.30	12.00	23.85	29.85
2×06	32.30	15.00	26.85	32.85
2×07	35.30	18.00	29.85	35.85
2×08	38.30	21.00	32.85	38.85
2×09	41.30	24.00	35.85	41.85
2×10	44.30	27.00	38.85	44.85
2×11	47.30	30.00	41.85	47.85
2×12	50.30	33.00	44.85	50.85



ANGLE TOLERANCE	PROJECTION	Description:	3.0mm Pitch Micro-Fit 44133/44300 Wire To Board Connector
±3°			
GENERAL TOLERANCE	UNITS	mm	KLS P/N:
x.x ±0.30	SHEET SIZE	A4	L-KLS1-XM3-3.00-2×XX-FH
x.xx ±0.20	Draw:	Daniel	2020-11-11
x.xxx ±0.10	Check:	Daniel	2020-11-11

