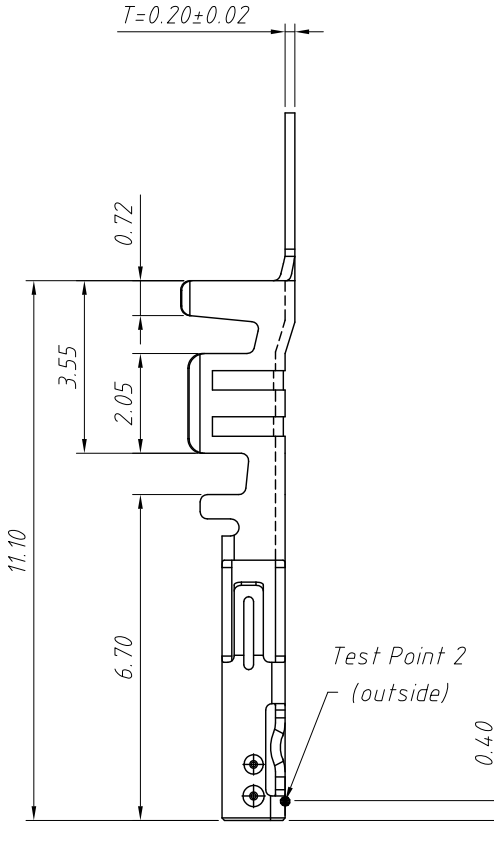
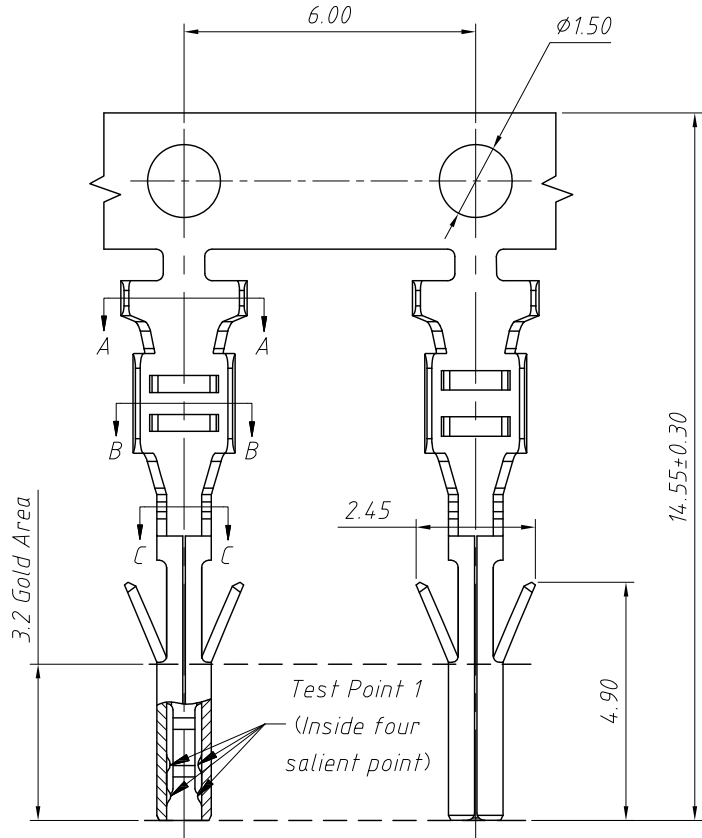


1 RoHS Compliance

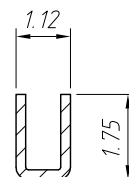
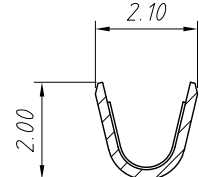
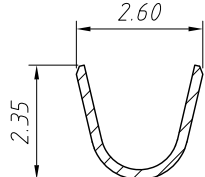
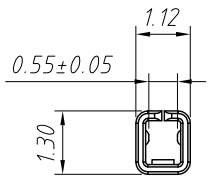
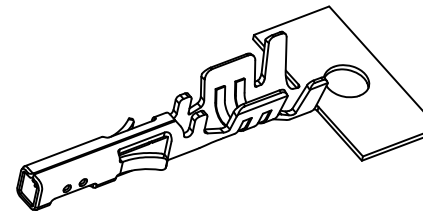


Material:  
Terminal: Phosphor bronze  
Finish: Plated Tin over Nickel

Electrical Characteristics:  
Current rating: 5.0A AC, DC  
Voltage rating: 250V AC, DC  
Insulation resistance: 1000MΩ Min.  
Withstanding voltage: 1000V AC minute  
Contact resistance: 10mΩ Max.  
Wire range: AWG#20 ~ #24  
Insulation O.D.: 1.85mm (Max)  
Temperature range: -45°C ~ +105°C

Order Information:  
L-KLS1-XM2-3.00- FT

L: RoHS  
Wire To Board  
Connector  
Pitch: 3.00mm  
Type:  
H-Housing FT-Female Terminal  
S-Straight male pin



Section: A-A  
Scale: 1:1

Section: B-B  
Scale: 1:1

Section: C-C  
Scale: 1:1

ANGLE TOLERANCE	PROJECTION	Description:
±3°		3.0mm Pitch Female Terminal
GENERAL TOLERANCE	UNITS	KLS P/N:
x.x ±0.30	SHEET SIZE	L-KLS1-XM2-3.00-FT
x.xx ±0.20	Draw:	Daniel 2020-11-11
x.xxx ±0.10	Check:	Daniel 2020-11-11



NingBo KLS ELECTRONIC CO., L TD.