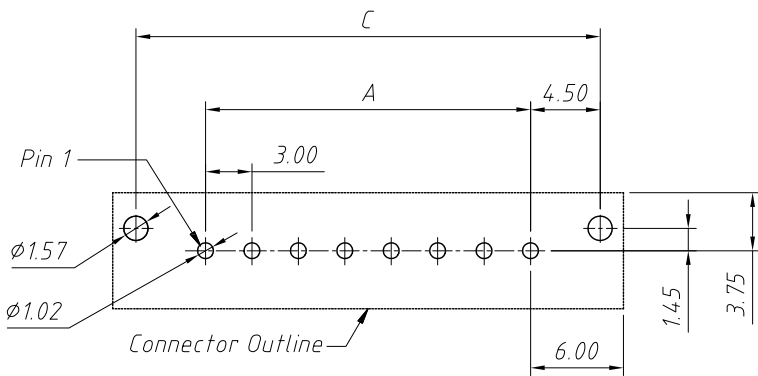
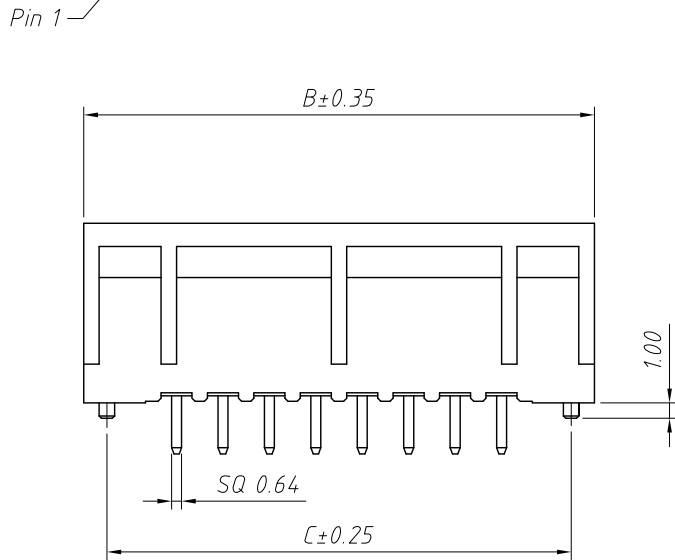
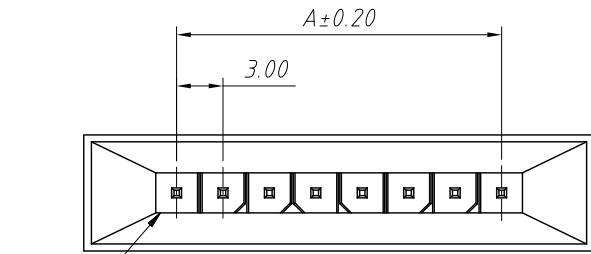
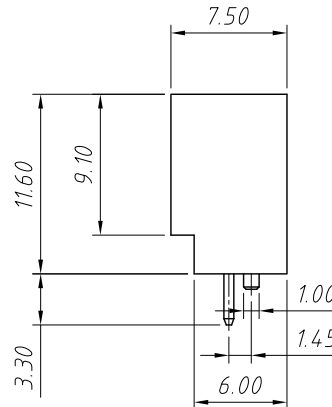
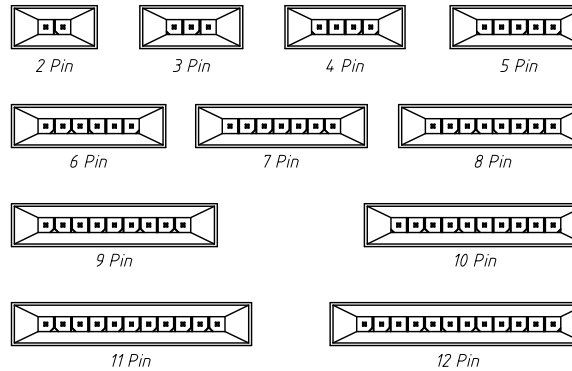


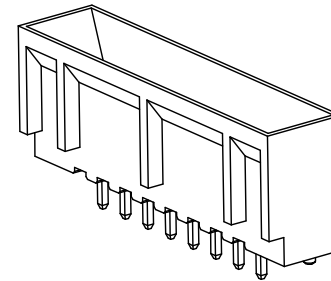
RoHS Compliance



Recommended P.C.B Layout  
General Tolerance±0.05



Pin	Dimensions(mm)		
	A	B	C
02	3.00	15.00	12.00
03	6.00	18.00	15.00
04	9.00	21.00	18.00
05	12.00	24.00	21.00
06	15.00	27.00	24.00
07	18.00	30.00	27.00
08	21.00	33.00	30.00
09	24.00	36.00	33.00
10	27.00	39.00	36.00
11	30.00	42.00	39.00
12	33.00	45.00	42.00



Material:  
Housing:PA66/LCP,UL 94 V-2/UL 94 V-0  
Color:Blank-Natural Color  
Pin: Brass  
Finish : Plated Tin over Nickel

Electrical Characteristics:  
Current rating:5.0A AC,DC  
Voltage rating:250V AC,DC  
Insulation resistance:1000MΩ Min.  
Withstanding voltage:1000V AC minute  
Contact resistance:10mΩ Max.  
Temperature range:-45°C ~ +105°C

Order Information:

L-KLS1-XM2-3.00-1×XX-S

L: RoHS  
Wire To Board  
Connector  
Pitch:3.00mm  
1-Single layer  
XX-No. of 02~12 pins  
Type:  
H-Housing FT-Female Terminal  
S-Straight male pin

ANGLE TOLERANCE	PROJECTION	Description:
±3°		3.0mm Pitch Micro-Fit BMI Wire To Board Connector
GENERAL TOLERANCE	UNITS	mm
x.x ±0.30	SHEET SIZE	A4
x.xx ±0.20	Draw:	Daniel 2020-11-11
x.xxx ±0.10	Check:	Daniel 2020-11-11



NingBo KLS ELECTRONIC CO.,L TD.