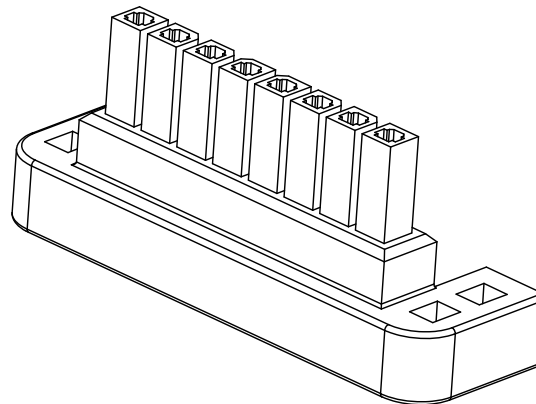
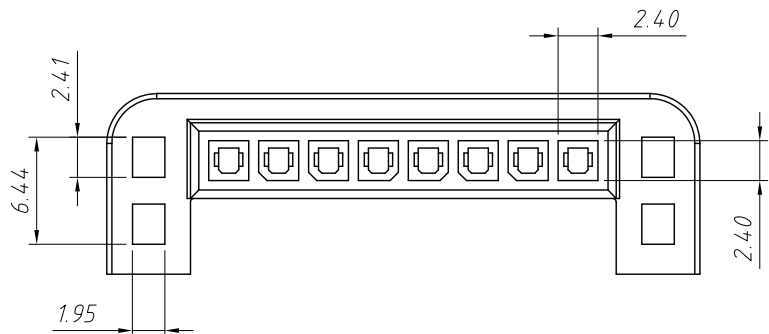
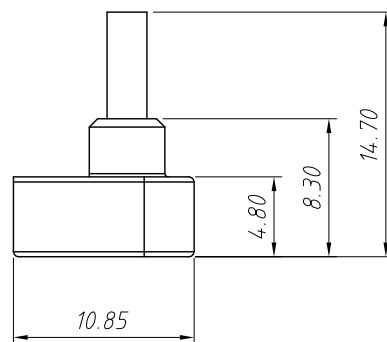
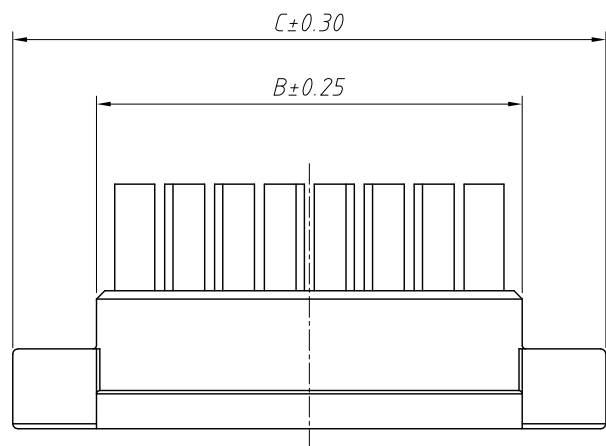


RoHS Compliance



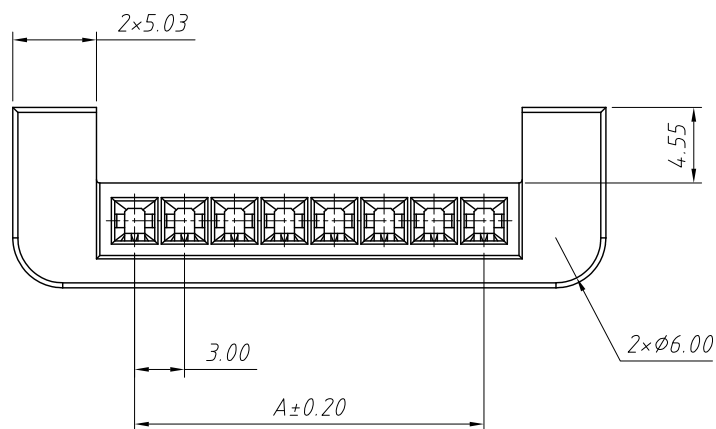
Material:
 Housing: PA66/LCP, UL 94V-2/UL 94V-0
 Color: Blank-Natural Color

Electrical Characteristics:
 Current rating: 5.0A AC, DC
 Voltage rating: 250V AC, DC
 Insulation resistance: 1000M Ω Min.
 Withstanding voltage: 1000V AC minute
 Contact resistance: 10m Ω Max.
 Temperature range: -45 $^{\circ}$ C ~ +105 $^{\circ}$ C



Pin	Dimensions(mm)		
	A	B	C
02	3.00	7.60	17.65
03	6.00	10.60	20.65
04	9.00	13.60	23.65
05	12.00	16.60	26.65
06	15.00	19.60	29.65
07	18.00	22.60	32.65
08	21.00	25.60	35.65
09	24.00	28.60	38.65
10	27.00	31.60	41.65
11	30.00	34.60	44.65
12	33.00	37.60	47.65

Order Information:
 L-KLS1-XM2-3.00-1×XX-H
 L: RoHS
 Wire To Board
 Connector
 Pitch: 3.00mm
 1-Single layer
 XX-No. of 02~12 pins
 Type:
 H-Housing FT-Female Terminal
 S-Straight male pin



ANGLE TOLERANCE	PROJECTION	Description:	3.0mm Pitch Micro-Fit BMI Wire To Board Connector
±3 $^{\circ}$			
GENERAL TOLERANCE	UNITS	mm	KLS P/N: L-KLS1-XM2-3.00-1×XX-H
x.x ±0.30	SHEET SIZE	A4	
x.xx ±0.20	Draw:	Daniel	2020-11-11
x.xxx ±0.10	Check:	Daniel	2020-11-11



NingBo KLS ELECTRONIC CO.,LTD.