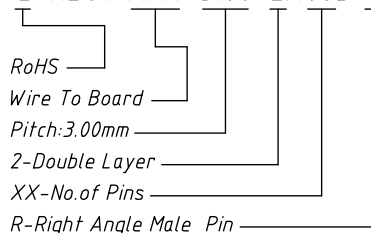


RoHS Compliance

REV	SYM	Revision Record	Appr.	Date
V0	KLS01140	New Version Release	Song	2023-12-27

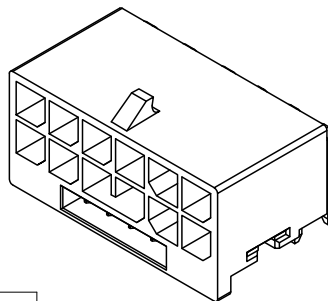
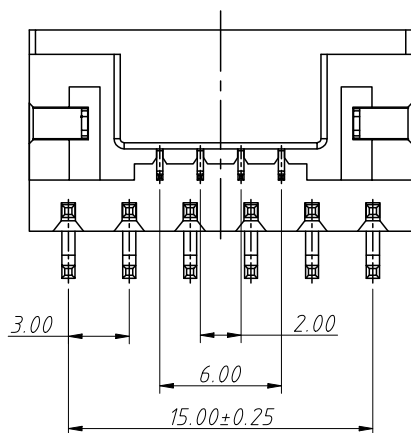
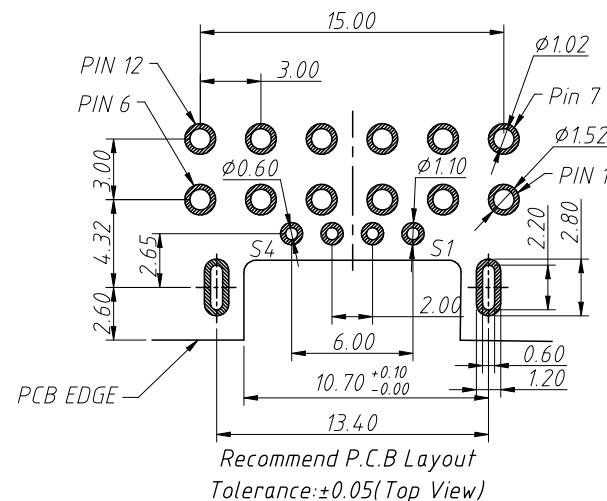
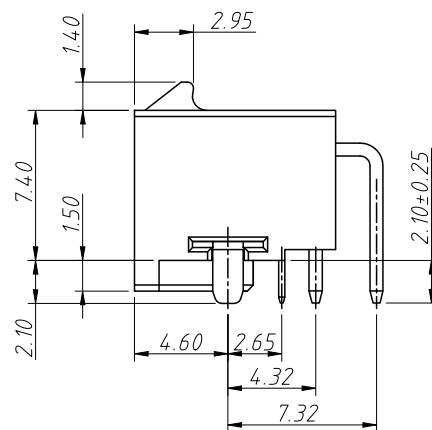
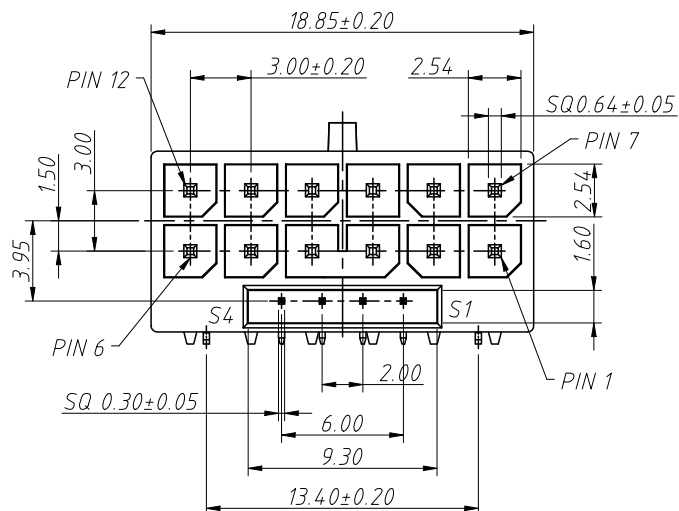
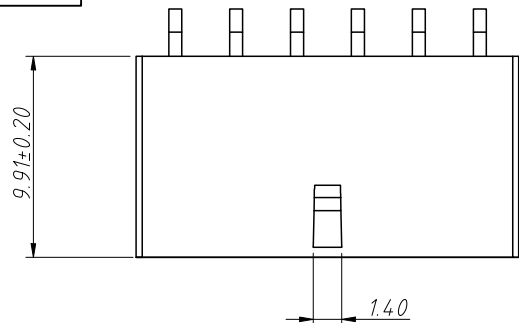
Order Information

L-KLS1-XM4-3.00-2X06D-R



NOTE:

1.Material:
 Insulator:PA9T,UL 94 V-0,Black.
 PWR & GND Pin: C1100,
 Sense Pin:C2680
 Board Lock:SUS201
 2.Finish:
 Contact: 80u"Min Matte Tin Plated Overall,
 30u" Min Nickelunder Plated



3.Electrical Characteristics:

Current Rating:9.2A Per Pin(PWR & GND PIN)
 Dielectric Withstanding Voltage:1500 V AC 1Minute
 Insulation Resistance:1000MΩ Min.AT 500V/DC
 Contact Resistance:10mΩ Max
 Temperature Range:-40°C ~ +105°C
 Max.Processing Temp:230°C For 60 Seconds
 260°C For 10 Seconds

Pin Signal	PIN NO.
PWR Pin	1-6
GND Pin	7-12
S1	CARD_PWR_STABLE
S2	CARD_CBL_PRES#
S3	SENSE0
S4	DO NOT USE

ANGLE TOLERANCE	PROJECTION	Description:
±3°		
GENERAL TOLERANCE	UNITS	mm
x.x ±0.25	SHEET SIZE	A4
x.xx ±0.20	Draw:	Song
x.xxx ±0.05	Check:	Daniel

Pitch 3.00mm 12+4P PCIe Housing

L-KLS1-XM4-3.00-2X06D-R



NingBo KLS ELECTRONIC CO.,L TD.